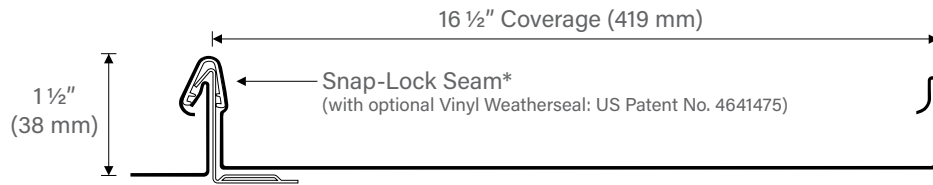


Berridge Cee-Lock Clip

FOR USE WITH CEE-LOCK PANEL



Materials

24 Gauge Steel
Stainless Steel**

Installation

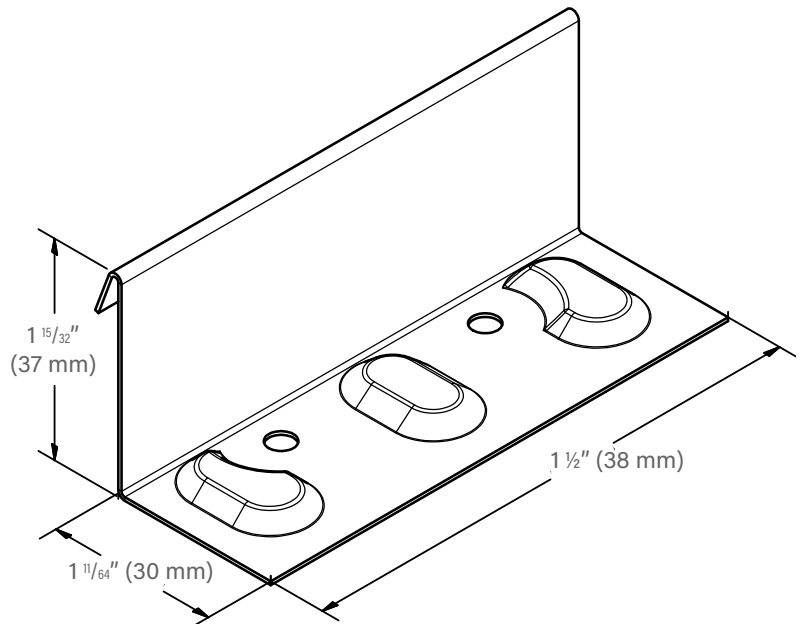
- Install per Berridge Installation Details
- Attachment: Use (2) #12-11 x 1" GP pancake head self-tapping fasteners per clip for plywood substrate or (2) #14-13 DPI self-drilling fasteners per clip for steel deck
- Spacing: 36" O.C. max into 19/32" plywood pursuant to UL90 Construction #404 (for Galvalume® panel), or 20" O.C. max into 15/32" plywood pursuant to UL90 Construction #690 (for aluminum panel), or 20" O.C. max into 22 gauge steel deck pursuant to UL90 Construction #689 (for aluminum panel)***
- Use 2 Clips at the eave
- Please consult BMC when applying in a coastal or high-wind load area or have special considerations

Note:

* Continuous Cee-Rib and vinyl weatherseal required for watertight warranties

** Consult BMC for use with Aluminum substrate.

*** If specifications, local codes, or other regulations dictate specific wind uplift requirements, consult Berridge's Engineering Department at (800) 669-0009. It may be necessary to use a different clip, clip spacing, fastener, fastener spacing, or assembly.



Dimensions shown above are nominal.



CORPORATE HEADQUARTERS

2610 Harry Wurzbach Road
San Antonio, TX 78209
(800) 669-0009
www.Berridge.com

All information subject to change without notice. See website for details, specifications, and Watertightness Warranty requirements.

© Berridge Manufacturing Company 2023 • (800) 669-0009 • www.Berridge.com