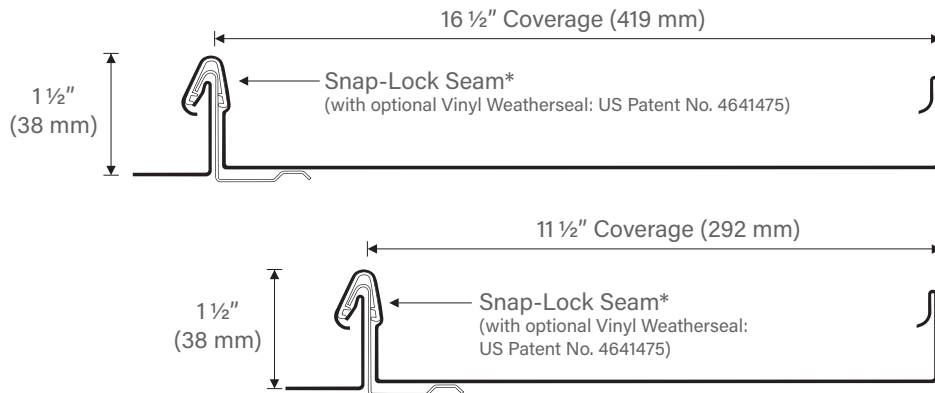


Berridge Cee-Lock Panel Load Chart

PLYWOOD



1/2" Plywood (Galvalume Substrate)						
Gauge of Panel	Spacing (in)	Clip Type	Fastener	Fastener Quantity	Allowable (psf)	Ultimate (psf)
24	10	Continuous Rib	#10-13 GP	1	108.5	217
24	12	Continuous Rib	#10-13 GP	1	102.5	205
24	14	Continuous Rib	#10-13 GP	1	96.5	193
24	16	Continuous Rib	#10-13 GP	1	90.5	181
24	18	Continuous Rib	#10-13 GP	1	84.5	169
24	20	Continuous Rib	#10-13 GP	1	78.5	157
(Aluminum Substrate)						
Gauge of Panel	Spacing (in)	Clip Type	Fastener	Fastener Quantity	Allowable (psf)	Ultimate (psf)
0.032	8	Fixed Clip	#12-11 GP	2	116	232
0.032	10	Fixed Clip	#12-11 GP	2	107.25	214.5
0.032	12	Fixed Clip	#12-11 GP	2	98.5	197
0.032	14	Fixed Clip	#12-11 GP	2	89.75	179.5
0.032	16	Fixed Clip	#12-11 GP	2	81	162
0.032	18	Fixed Clip	#12-11 GP	2	72.25	144.5
0.032	20	Fixed Clip	#12-11 GP	2	63.5	127

NOTES:

1) All test results determined through UL580/ UL1897 testing standards.



CORPORATE HEADQUARTERS

2610 Harry Wurzbach Road
 San Antonio, TX 78209
 (800) 669-0009
 www.Berridge.com