

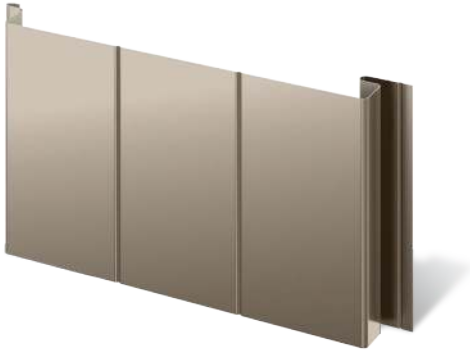
FASCIA, WALL & SOFFIT STANDARD INSTALLATION DETAILS



L-PANEL



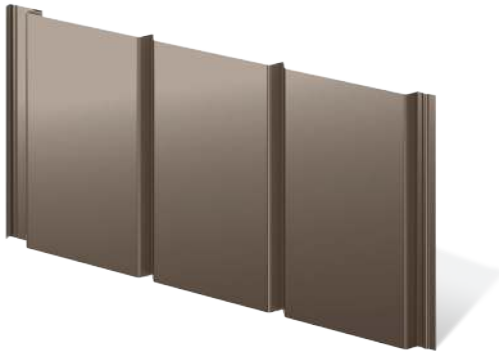
FLUSH SEAM PANEL



FW-12 & FW-1025 PANEL



THIN LINE PANEL



VEE-PANEL



B-6 PANEL



**BERRIDGE
MANUFACTURING
COMPANY**

800-669-0009 • www.Berridge.com

INDEX	FWS-0
INSTALLATION INSTRUCTIONS	FWSI-1
INSTALLATION INSTRUCTIONS	FWSI-2
INSTALLATION INSTRUCTIONS	FWSI-3
INTRODUCTION TO TYPICAL DETAILS	FWS-1
OVERVIEW FLUSH SEAM PANEL SYSTEM	FWS-2
OVERVIEW B-6 PANEL SYSTEM	FWS-3
OVERVIEW VEE-PANEL SYSTEM	FWS-4
OVERVIEW VENTED VEE-PANEL SYSTEM	FWS-5
OVERVIEW FW-12 / FW-10.25 PANEL SYSTEM	FWS-6
OVERVIEW THIN-LINE PANEL SYSTEM	FWS-7
OVERVIEW L-PANEL SYSTEM	FWS-8
TYPICAL OPEN FRAMING	FWS-10
EAVE DETAIL SOLID SHEATHING	FWS-20
EAVE DETAIL OPEN FRAMING	FWS-21
GABLE DETAIL SOLID SHEATHING	FWS-30
GABLE DETAIL OPEN FRAMING	FWS-31
FASCIA/SOFFIT DETAIL SOLID SHEATHING	FWS-40
FASCIA TO SOFFIT OPEN FRAMING	FWS-41
SOFFIT TO BUILDING DETAIL SOLID SHEATHING	FWS-42
SOFFIT TO WALL PANEL DETAIL SOLID SHEATHING	FWS-43
INSIDE CORNER DETAIL SOLID SHEATHING	FWS-50
INSIDE CORNER DETAIL OPEN FRAMING	FWS-51
OUTSIDE CORNER DETAIL SOLID SHEATHING	FWS-52
OUTSIDE CORNER DETAIL OPEN FRAMING	FWS-53
HEAD DETAIL SOLID SHEATHING	FWS-60
JAMB DETAIL SOLID SHEATHING	FWS-61
SILL DETAIL SOLID SHEATHING	FWS-62
RAKE DETAIL SOLID SHEATHING	FWS-70
RAKE DETAIL OPEN FRAMING	FWS-71
HEAD WALL DETAIL SOLID SHEATHING	FWS-72
HEAD WALL DETAIL OPEN FRAMING	FWS-73
BASE DETAIL SOLID SHEATHING	FWS-74



**BERRIDGE
MANUFACTURING
COMPANY**

INDEX

DATE: 08-05-16

Fascia / Wall Panel / Soffit

PAGE/FILE

FWS-0

1. BERRIDGE FLUSH SEAM PANEL HAS AN EXPOSURE WIDTH OF 3-7/8" AND HAS CONCEALED FASTENERS. THE BERRIDGE FLUSH SEAM PANEL FEATURES AN EMBOSSED, "RIGIDIZED" TEXTURE TO PROVIDE UNIFORM REFLECTIVITY AND AN AESTHETIC TEXTURE.

THE PANEL IS FACTORY FABRICATED IN MAXIMUM 40'-0" LENGTHS.

2. BERRIDGE B-6 PANEL HAS AN EXPOSURE OF 6" AND HAS CONCEALED FASTENERS. THE PANEL IS FACTORY FABRICATED IN MAXIMUM 40'-0" LENGTHS.

3. BERRIDGE FW-12, FW-10.25 PANELS ARE A MULTIPURPOSE PANEL WELL-SUITED FOR EXTERIOR/INTERIOR WALL, SOFFIT OR FASCIA. BERRIDGE FW-12, FW-10.25 PANELS HAVE A 1-1/2" DEEP PROFILE WHICH ENABLES IT TO BE USED AS A FIELD-INSULATED WALL SYSTEM WHEN USED BOTH AS INTERIOR WALL PANEL AND INTERIOR LINER.

Vented FW-12 & FW-10.25 PANELS PROVIDE 6.82 SQUARE INCHES OF NET FREE VENT AREA PER LINEAL FOOT OF PANEL. NOT RECOMMENDED FOR AREAS SUBJECT TO AGGRESSIVE ATMOSPHERES, MARINE ENVIRONMENTS OR HUMIDITY.

THE PANEL IS FACTORY FABRICATED IN MAXIMUM 40'-0" LENGTHS.

4. BERRIDGE VEE-PANEL HAS AN EXPOSURE OF NOMINAL 12 3/4" AND IS 3/8" IN DEPTH. VEE GROOVE SPACING OF 4 1/4".

THE PANEL IS FACTORY FABRICATED IN MAXIMUM 40'-0" LENGTHS.

5. BERRIDGE VENTED VEE-PANEL THIS PANEL IS THE SAME PROFILE AS THE VEE-PANEL WITH THE ADDITION OF PERFORATED SLOTS FOR VENTILATION, THIS PANEL TO BE USED ALONG WITH THE BERRIDGE VEE-PANEL WHEN VENTILATION IS REQUIRED.

THE PANEL IS FACTORY FABRICATED IN MAXIMUM 40'-0" LENGTHS.

6. BERRIDGE THIN LINE PANEL HAS AN EXPOSURE OF 3-5/8" AND A DEPTH OF 3/8".

THE PANEL IS FACTORY FABRICATED IN MAXIMUM 40'-0" LENGTHS.

THE PANEL CAN BE FIELD FABRICATED USING THE BERRIDGE TL-6 PORTABLE ROLL FORMER

7. BERRIDGE L-PANEL HAS AN EXPOSURE OF 11 5/8" AND A DEPTH OF 1".
RECOMMENDED FOR SOFFIT AND FASCIA

VENTED PANELS PROVIDE 5.19 SQUARE INCHES OF NET FREE VENT AREA PER LINEAL FOOT OF PANEL. NOT RECOMMENDED FOR AREAS SUBJECT TO AGGRESSIVE ATMOSPHERES, MARINE ENVIRONMENTS OR HUMIDITY.

THE PANEL IS FACTORY FABRICATED IN MAXIMUM 40'-0" LENGTHS.

THE PANEL CAN BE FIELD FABRICATED USING THE BERRIDGE FP-16 PORTABLE ROLL FORMER

GENERAL NOTES

1. PANELS MAY BE USED AS SOFFIT, FASCIA, WALL SYSTEM, FACADE OR SIDING.
2. PANELS CAN BE INSTALLED OVER SOLID SHEATHING OR OPEN FRAMING.
3. PANELS PROVIDE STRONG INTERLOCK AND HIDDEN FASTENER DESIGN.



**BERRIDGE
MANUFACTURING
COMPANY**

**INSTALLATION
INSTRUCTIONS**

Fascia / Wall Panel / Soffit

DATE: 08-05-16

PAGE/FILE
FWSI-1

A. MATERIAL STORAGE: CAUTION MUST BE EXERCISED IN THE STORAGE OF MATERIALS PRIOR TO INSTALLATION. KEEP ALL BERRIDGE PREFINISHED MATERIAL IN A DRY LOCATION WITH ADEQUATE VENTILATION AND OUT OF DIRECT SUNLIGHT.

EXPOSURE TO DIRECT SUNLIGHT AND/OR MOISTURE MAY CAUSE THE FACTORY-APPLIED STRIPPABLE PROTECTIVE PLASTIC FILM TO ADHERE TO THE METAL PERMANENTLY AND CAUSE DISCOLORATION OF THE FINISH.

B. STRIPPABLE PROTECTIVE FILM: THE STRIPPABLE PLASTIC FILM WHICH IS APPLIED OVER MOST BERRIDGE PREFINISHED PRODUCTS, PANELS, FLASHINGS, COILS AND SHEETS PROVIDES PROTECTION OF THE FINISH DURING FABRICATION AND TRANSIT. THIS FILM MUST BE REMOVED PRIOR TO INSTALLATION.

C. SHEATHING: IF SOLID SHEATHING IS TO BE USED, BERRIDGE RECOMMENDS THE USE OF EITHER BERRIDGE 24 GA "S-DECK" CORRUGATED METAL DECKING OR A MINIMUM OF 1/2" SOLID WOOD SHEATHING TO PROVIDE SUFFICIENT HOLDING STRENGTH FOR FASTENERS. SHEATHING TO BE IN PLANE $\pm 1/4"$ IN 20'.

D. FELT UNDERLAYMENT: USE NUMBER THIRTY (# 30) FELT PAPER (OR EQUAL) BENEATH PANELS. INSTALL FELT PARALLEL TO BASE OF PANELS, STARTING AT THE BOTTOM AND USING MINIMUM 6" LAPS. USE ONLY BERRIDGE COATED FELT CAPS TO PREVENT RUST. USE ONLY GALVANIZED OR COATED FASTENERS.

PEEL AND STICK MAY BE USED OR REQUIRED IN LIEU OF 30# FELT
REFERENCE BERRIDGE WEB SITE FOR APPROVED PEEL AND STICK

DO NOT USE RED ROSIN PAPER WITH ANY BERRIDGE MANUFACTURING PRODUCT.

E. SEALANT RECOMMENDATIONS: REFERENCE BERRIDGE WEB SITE FOR APPROVED SEALANT.

F. ELECTROLYSIS: AVOID ALLOWING FLASHINGS AND PANELS TO COME INTO CONTACT WITH EITHER LEAD OR COPPER, AND PREVENT EXPOSURE TO WATER RUN OFF FROM LEAD AND/OR COPPER.

G. STRUCTURAL FRAMING: PRIOR TO PANEL INSTALLATION, INSPECT SIDEWALL, FASCIA OR OTHER FRAMING TO DETERMINE:

1. FRAMING MUST BE SQUARE AND PLUMB.
2. INSURE THAT SIDEWALL GIRTS SPACING IS CORRECT (REFER TO SECTION PROPERTIES AND LOAD TABLES) AND BLOCK IF NECESSARY TO PREVENT SAGGING.
3. INSURE THAT SIDEWALL COLUMNS AND GIRTS ARE IN THE SAME PLANE, PLUS OR MINUS $1/4"$ IN 20'.

H. FLASHING: IF BERRIDGE MANUFACTURING COMPANY IS TO SUPPLY FLASHINGS, THEY WILL BE FABRICATED IN 10'-0" LENGTHS WITH SQUARE END CUTS ONLY. THE PURCHASER MUST PROVIDE ALL DIMENSION AND DEGREE OF ANGLES.

I. FLASHING INSTALLATION: FIRST, REMOVE STRIPPABLE PLASTIC FILM FROM ALL FLASHINGS, THEN INSTALL ACCORDING TO BERRIDGE TYPICAL INSTALLATION DETAILS. ALWAYS STAGGER FLASHING JOINTS WHEN ON FLASHING IS INSTALLED OVER OTHER FLASHINGS.

J. PANEL INSTALLATION:

1. REMOVE STRIPPABLE PLASTIC FILM FROM EACH PANEL PRIOR TO INSTALLATION.



**BERRIDGE
MANUFACTURING
COMPANY**

INSTALLATION INSTRUCTIONS

Fascia / Wall Panel / Soffit

DATE: 08-05-16

PAGE/FILE
FWSI-2

2. START PANEL INSTALLATION FROM CORNER, EITHER RIGHT-TO-LEFT OR LEFT-TO-RIGHT.
3. KEEP EACH PANEL TIGHT AGAINST THE ADJOINING PANEL.
4. PANEL SIDE JOINTS SHALL BE PERPENDICULAR TO BASE/EAVE.
5. METALLIC COLORS
 INSTALLATION: NOTE THE SERIES OF ARROWS PAINTED ON THE UNDERSIDE OF THE PANEL. ALL PANELS MUST BE INSTALLED IN A CONSISTENT MANNER, MEANING THAT THE ARROWS ON EVERY PANEL ARE ALL POINTING IN THE SAME DIRECTION. IF A PANEL IS REVERSED (ARROWS POINTING OPPOSITE OF THOSE ON OTHER PANELS IT WILL APPEAR, FROM A DISTANCE, A DIFFERENT SHADE DUE TO THE GRANULAR EFFECT OF THE PIGMENTS IN THE FINISH. METALLIC FINISHES ARE MATCH – LOT FINISHES. DO NOT MIX LOTS.

- K. FASTENERS: INSTALL FASTENERS AS PER TYPICAL DETAILS. USE 11 GAUGE 1-1/4" GALVANIZED ROOFING NAILS FOR INSTALLATION OVER WOOD SHEATHING AND USE #10 PANCAKE HEAD TEKS FASTENERS (ZINC-PLATED SCREW WITH PHILLIPS INSERT, AS MADE BY CONSTRUCTION FASTENERS CO.) FOR INSTALLATION TO METAL. WHEN USING POP RIVETS ON FLASHING, STAINLESS STEEL RIVETS ARE RECOMMENDED TO AVOID RUST STAINS.* #14 BY 1" SELF-DRILLING SCREWS TO SECURE PANELS TO FRAMING AND #8 BY 1" SELF-DRILLING SCREWS TO ATTACH TRIM AND FLASHING.

MAKE SURE ALL FASTENERS ARE DRIVEN STRAIGHT AND SET FLAT. DO NOT OVERDRIVE FASTENERS, AS THIS WILL CAUSE THE FLASHING TO BUCKLE OR BECOME RECESSED BELOW THE ELEVATION OF THE SUBSTRATE.

ALL FASTENERS ARE TO BE GALVANIZED, STAINLESS STEEL OR COATED.

BERRIDGE MANUFACTURING COMPANY STRIVES TO PROVIDE ITS CUSTOMERS WITH THE HIGHEST QUALITY STRETCHER LEVELED STEEL AVAILABLE. THE LATEST TECHNOLOGY IS ALSO INCORPORATED IN BERRIDGE'S HIGH-PRECISION COIL HANDLING AND ROLL FORMING EQUIPMENT TO MINIMIZE THE STRESS ON METAL DURING PRODUCTION. FURTHERMORE, BERRIDGE UTILIZES HEAVIER 24 GAUGE METAL RATHER THAN 26 GAUGE STEEL OR LIGHT GAUGE ALUMINUM AS OFFERED BY MANY COMPETITORS. ALL THESE MEASURES HAVE BEEN TAKEN TO MINIMIZE THE AMOUNT OF "OIL-CANNING" (WAVINESS) WHICH IS NATURALLY INHERENT IN FLAT SHEET METAL. MANY TIMES, HOWEVER, THE CAUSE OF WAVINESS OR "OIL-CANNING" CAN BE TRACED TO UNEVEN SHEATHING, IMPROPER FELT INSTALLATION, OR IN THE CASE OF OPEN FRAMING, UNEVENNESS OF THE TOP PLANE OF THE PURLINS OR FOOT TRAFFIC ON THE PANELS.

ALL ARCHITECTURAL PANELS REQUIRE CARE IN HANDLING AND INSTALLATION TO AVOID DAMAGING OR DEFORMING THE PANELS.

*CONSULT BERRIDGE MANUFACTURING'S ENGINEERING DEPARTMENT REGARDING FASTENER SPACING TO MEET DESIGN CRITERIA, AND THE USE OF ANY OTHER TYPE OF FASTENER.



**BERRIDGE
 MANUFACTURING
 COMPANY**

INSTALLATION INSTRUCTIONS

Fascia / Wall Panel / Soffit

DATE: 08-05-16

PAGE/FILE
 FW5I-3

THE DETAILS CONTAINED IN THE FOLLOWING PAGES ARE MERELY RECOMMENDATIONS AS TO HOW BERRIDGE MANUFACTURING MATERIALS SHOULD BE INSTALLED. THEY MAY REQUIRE ADAPTATIONS OR MODIFICATIONS FOR A SPECIFIC PROJECT AS CONDITIONS VARY IN BOTH BUILDING DESIGN AND LOCAL WEATHER PECULIARITIES.

BERRIDGE MANUFACTURING COMPANY SHALL BE HELD HARMLESS FROM ANY AND ALL CLAIMS ARISING FROM LACK OF WATERTIGHTNESS AS A RESULT OF FOLLOWING THESE RECOMMENDED DETAILS. ENSURING WATERTIGHTNESS ON ANY GIVEN PROJECT IS THE FUNCTION OF THE INSTALLER. THE ARCHITECT/GENERAL CONTRACTOR/INSTALLER MUST ACCEPT THE RESPONSIBILITY TO ADAPT THESE DETAILS TO MEET PARTICULAR BUILDING REQUIREMENTS AND TO ASSURE ADEQUATE WATERTIGHTNESS.

THE INSTALLER CAN VIRTUALLY ASSURE WATERTIGHTNESS IF THESE FLASHING DETAILS HAVE BEEN PROPERLY ADAPTED, ADEQUATE LAPS HAVE BEEN PROVIDED, CORRECT TYPE OF SEALANT USED, ALL JOINTS ADEQUATELY CAULKED, AND PROFESSIONAL WORKMANSHIP EMPLOYED.



**BERRIDGE
MANUFACTURING
COMPANY**

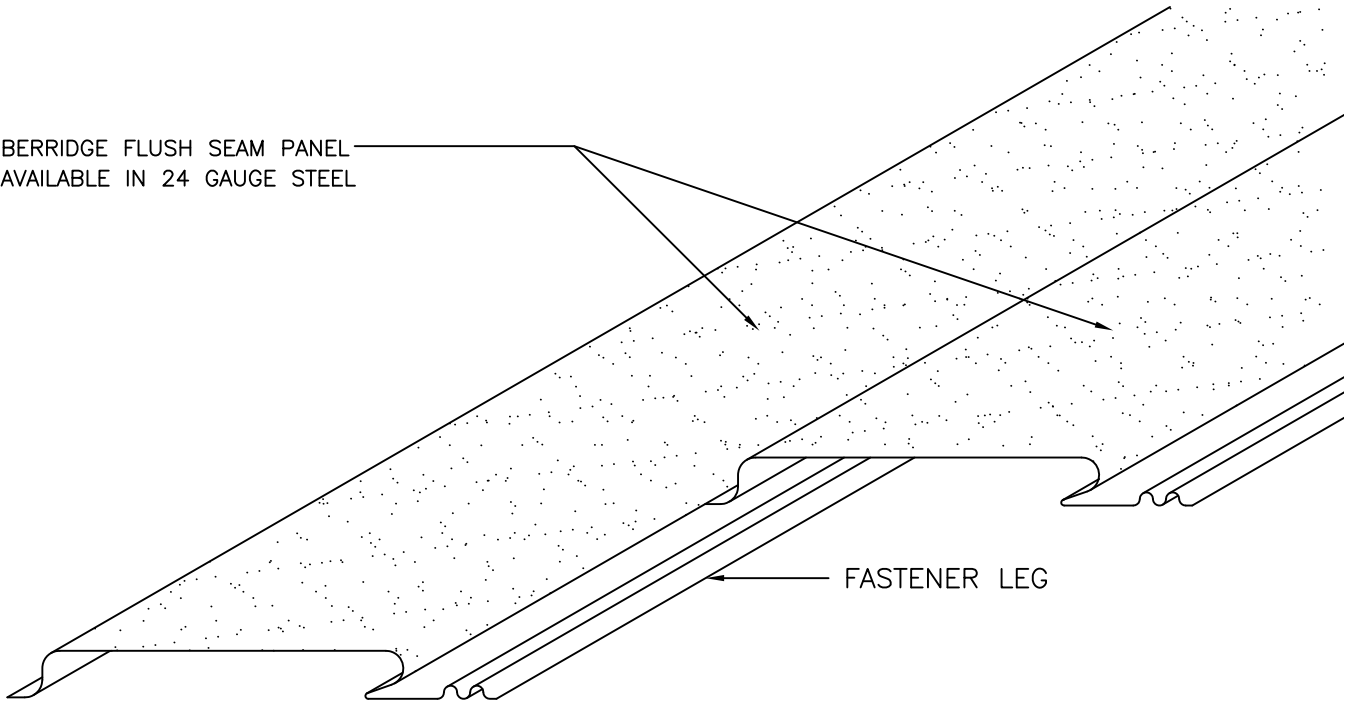
INTRODUCTION TO TYPICAL DETAILS

Fascia / Wall Panel / Soffit

DATE: 08-05-16

PAGE/FILE
FWS-1

BERRIDGE FLUSH SEAM PANEL
AVAILABLE IN 24 GAUGE STEEL



SPANS OVER OPEN FRAMEWORK OR
SOLID SHEATHING WITH APPROVED
UNDERLAYMENT
HIDDEN FASTENERS
STUCCO EMBOSSED STANDARD
OPTIONAL WOOD GRAIN EMBOSSED TEXTURE
SELF VENTING

SECTION PROPERTIES BASED ON 24 GAUGE 40 K.S.I.			
FLUSH SEAM PANEL	DL _x (ln ⁴ /ft.)	M _A (ft.-lbs/ft.)	V _A (lbs)
POSITIVE BENDING	0.01206	79.8	516
NEGATIVE BENDING	0.01323	64.8	516

RECOMMENDED LOAD IN POUNDS PER SQUARE FOOT Panel Weight = 1.4 p.s.f.						
SPAN (FEET)	NET VERTICAL LIVE LOAD			NET VERTICAL WIND UPLIFT		
	1-SPAN	2-SPAN	3-SPAN	1-SPAN	2-SPAN	3-SPAN
2'-6"	90	90	90	83	90	90
2'-8"	83	90	90	73	90	90
3'-0"	58	75	87	58	90	60
3'-6"	35	55	65	40	68	76d
4'-0"	25	42	47d	27	52	51d
4'-6"	17	34	32d	19	41	36d
5'-0"	12	27d	24d	12	33	26d
5'-6"		22d	18d		25d	20d
6'-0"		17d	14d		19d	15d

- NOTES:
1. ALL LOADS MEET L/240 DEFLECTION CRITERIA. (d) DEFLECTION GOVERNS ALLOWABLES.
 2. WIND LOAD ALLOWABLE STRESSES INCREASED BY 33%.
 3. VALUES BASED ON 1986 EDITION OF AISI, MARCH 1987 PRINTING AND GOOD ENGINEERING PRACTICE.



**BERRIDGE
MANUFACTURING
COMPANY**

Roofs of Distinction

OVERVIEW

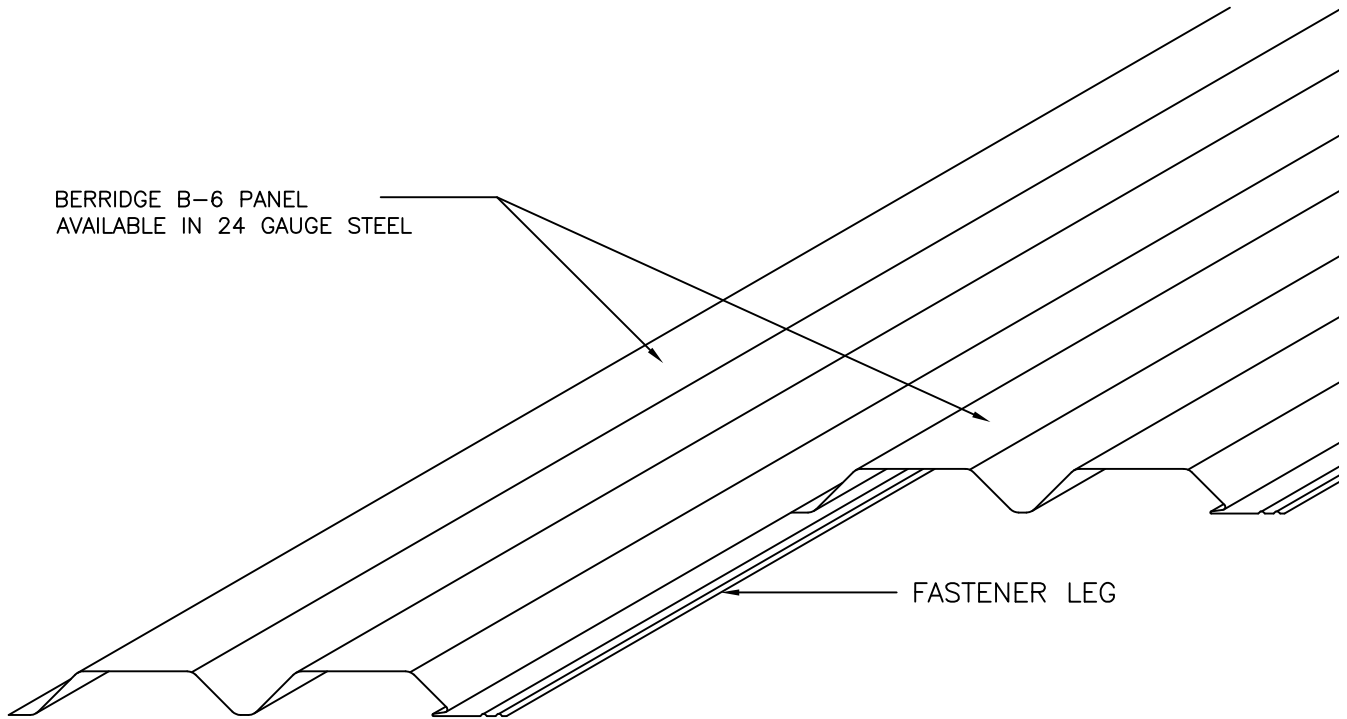
FLUSH SEAM PANEL SYSTEM

Fascia / Wall Panel / Soffit

DATE: 08-05-16

PAGE/FILE
FWS-2

BERRIDGE B-6 PANEL
AVAILABLE IN 24 GAUGE STEEL

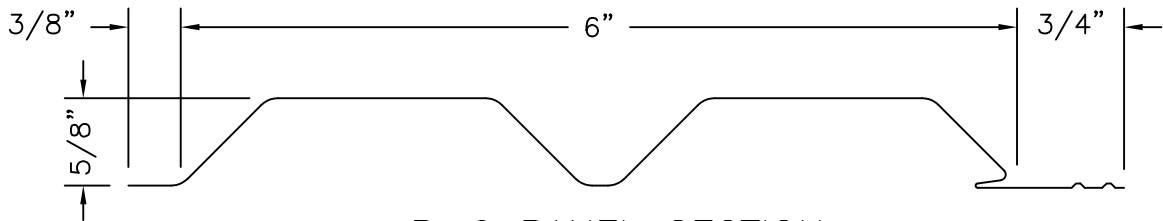


SPANS OVER OPEN FRAMEWORK OR
SOLID SHEATHING WITH APPROVED
UNDERLAYMENT
HIDDEN FASTENERS
SELF VENTING

SECTION PROPERTIES BASED ON 24 GAUGE 40 K.S.I.			
B-6 PANEL	DL_x (in ⁴ /ft.)	M_A (ft.-lbs/ft.)	V_A (lbs)
POSITIVE BENDING	0.0242	79.68	1320
NEGATIVE BENDING	0.0224	95.4	1320

RECOMMENDED LOAD IN POUNDS PER SQUARE FOOT Panel Weight = 1.3 p.s.f.						
SPAN (FEET)	NET VERTICAL LIVE LOAD			NET VERTICAL WIND UPLIFT		
	1-SPAN	2-SPAN	3-SPAN	1-SPAN	2-SPAN	3-SPAN
2'-6"	90	90	90	90	90	90
2'-8"	90	90	90	90	90	90
3'-0"	90	90	90	85	90	90
3'-6"	74d	82	90	62	90	90
4'-0"	50d	63	74	45d	90	86d
4'-6"	35d	50	58	32d	72	61d
5'-0"	25d	40	47d	24d	56d	44d
5'-6"	19d	34	35d	17d	42d	33d
6'-0"	15d	28	28d	14d	33d	25d

- NOTES:
1. ALL LOADS MEET L/240 DEFLECTION CRITERIA. (d) DEFLECTION GOVERNS ALLOWABLES.
 2. WIND LOAD ALLOWABLE STRESSES INCREASED BY 33%.
 3. VALUES BASED ON 1986 EDITION OF AISI, MARCH 1987 PRINTING AND GOOD ENGINEERING PRACTICE.



B-6 PANEL SECTION



**BERRIDGE
MANUFACTURING
COMPANY**

Roofs of Distinction

OVERVIEW

B-6 PANEL SYSTEM

Fascia / Wall Panel / Soffit

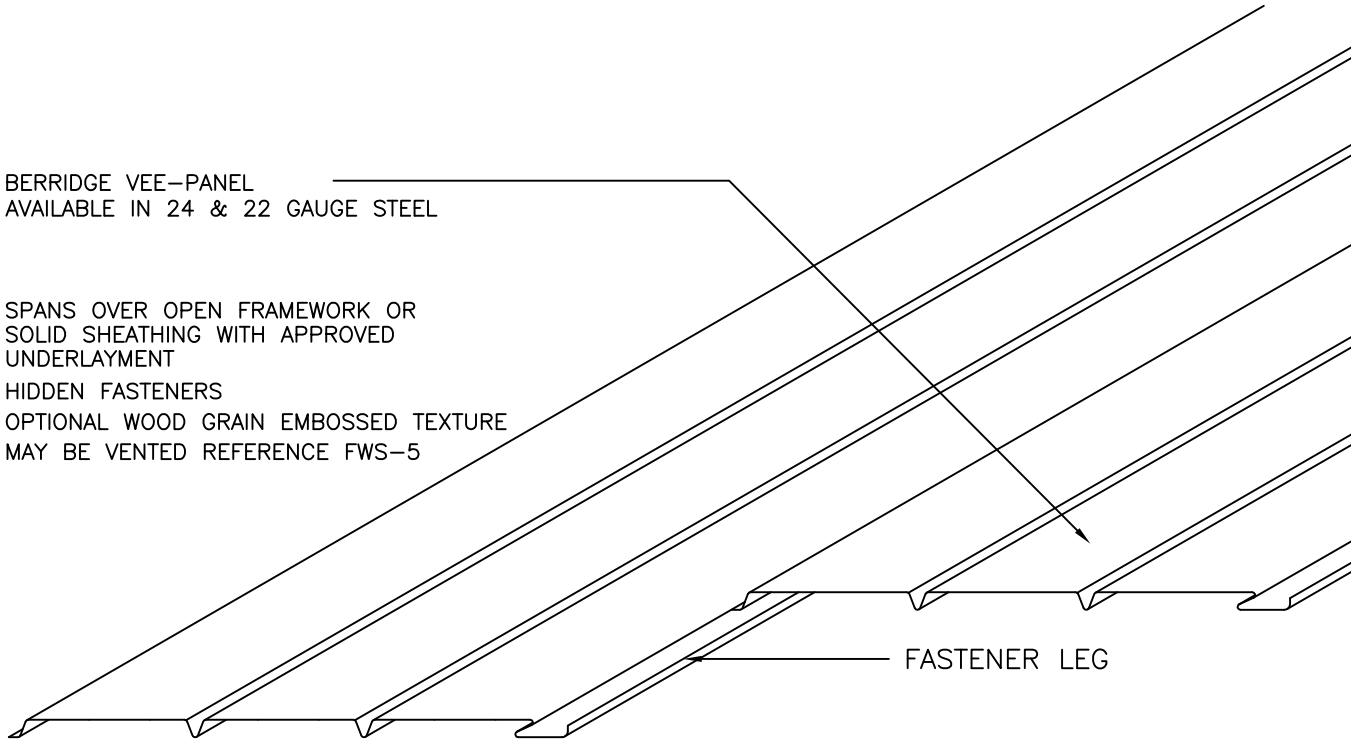
DATE: 08-05-16

PAGE/FILE

FWS-3

BERRIDGE VEE-PANEL
 AVAILABLE IN 24 & 22 GAUGE STEEL

SPANS OVER OPEN FRAMEWORK OR
 SOLID SHEATHING WITH APPROVED
 UNDERLAYMENT
 HIDDEN FASTENERS
 OPTIONAL WOOD GRAIN EMBOSSED TEXTURE
 MAY BE VENTED REFERENCE FWS-5



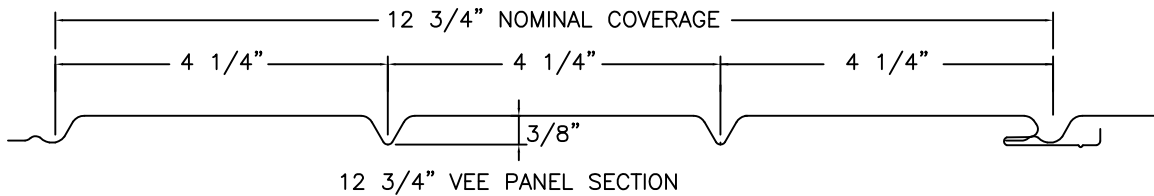
NOTES:

1. ALL LOADS MEET L/240 DEFLECTION CRITERIA. (d) DEFLECTION GOVERNS ALLOWABLES.
2. VALUES BASED ON 2007 AISI SPECIFICATIONS.
3. POSITIVE LOAD DIRECTION IS TOWARDS PANEL FACE.
4. NEGATIVE LOAD DIRECTION IS AWAY FROM PANEL FACE.

FOR SPECIFIC JOB APPLICATION RECOMMENDATIONS, PLEASE CONTACT BERRIDGE MANUFACTURING COMPANY

VEE-PANEL SECTION PROPERTIES BASED ON 24 GAUGE 40 K.S.I.			
VEE-PANEL	I_x (in ⁴ /ft)	S_x (in ³ /ft)	M_x (in-K/ft)
PANEL WIDTH	12 3/4"	12 3/4"	12 3/4"
POSITIVE BENDING	0.00395	0.01660	0.397
NEGATIVE BENDING	0.00451	0.01560	0.374

RECOMMENDED LOAD IN LBS/FT ² PANEL WT = 1.4 p.s.f.						
SPAN (FT)	POSITIVE LOAD			NEGATIVE LOAD		
	1-SPAN	2-SPAN	3-SPAN	1-SPAN	2-SPAN	3-SPAN
PANEL WIDTH	12 3/4"	12 3/4"	12 3/4"	12 3/4"	12 3/4"	12 3/4"
1.0	265	249	291	249	265	309
1.5	77d	111	129	88d	118	137
2.0	32d	62	65d	37d	66	65d



**BERRIDGE
 MANUFACTURING
 COMPANY**

Roofs of Distinction

OVERVIEW

V-PANEL SYSTEM

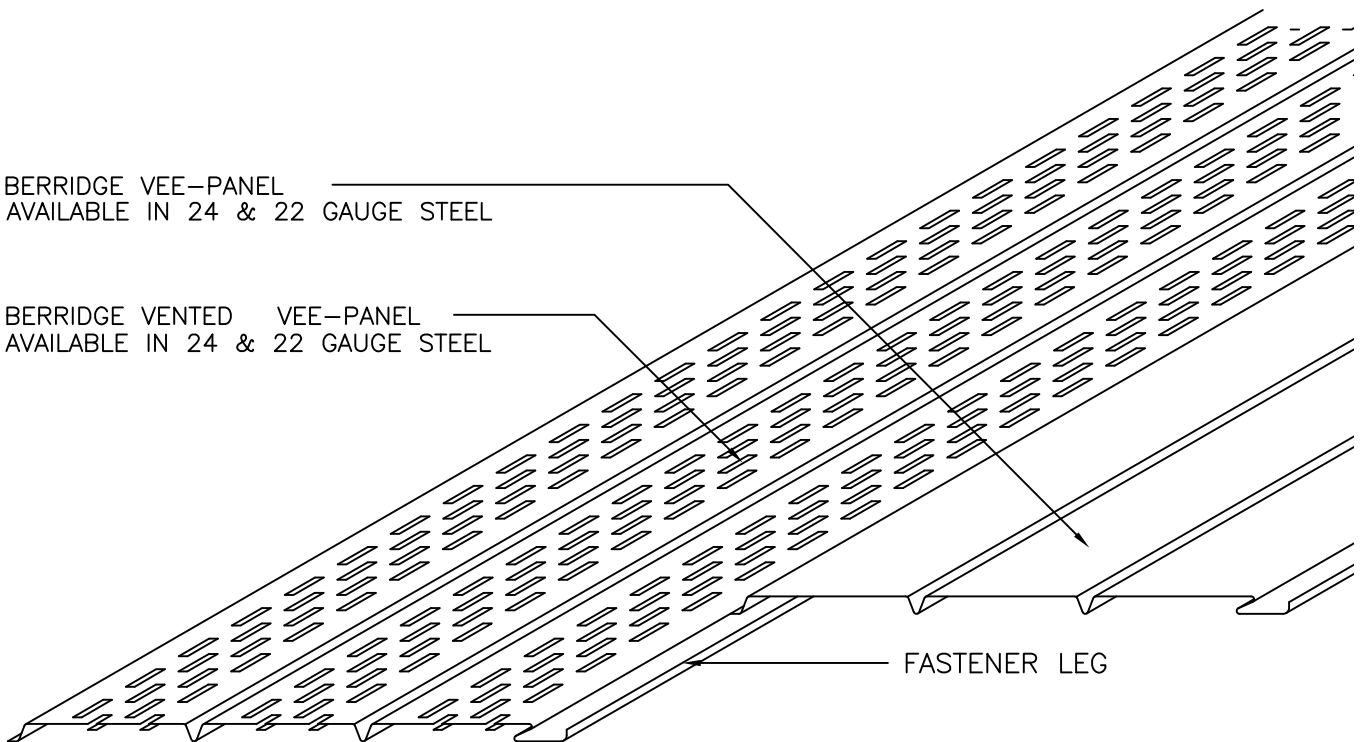
Fascia / Wall Panel / Soffit

DATE: 08-05-16

PAGE/FILE
 FWS-4

BERRIDGE VEE-PANEL
AVAILABLE IN 24 & 22 GAUGE STEEL

BERRIDGE VENTED VEE-PANEL
AVAILABLE IN 24 & 22 GAUGE STEEL



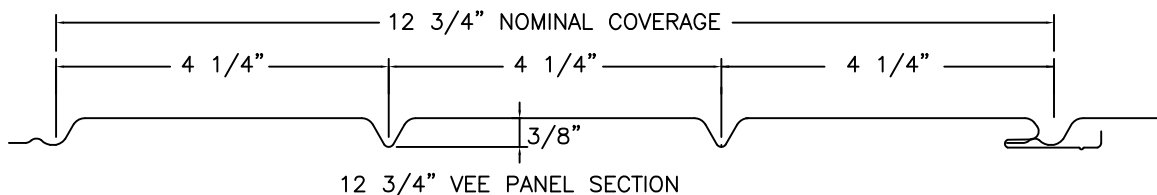
VENTED VEE-PANEL SOFFIT

BERRIDGE MANUFACTURING COMPANY DOES NOT RECOMMEND THIS PRODUCT IN APPLICATIONS SUBJECT TO AGGRESSIVE ATMOSPHERES, MARINE ENVIRONMENTS OR HIGH HUMIDITY DUE TO THE CORROSIVE NATURE OF THESE ENVIRONMENTS ON RAW EDGES OF STEEL.

NET FREE VENT AREA (NFVA)

THE 12 3/4" WIDE VENTED VEE-PANEL PROVIDES APPROXIMATELY 6.08 SQUARE INCHES OF NET FREE VENT AREA (NFVA) PER SQUARE FOOT OF PANEL (6.46 SQUARE INCHES PER LINEAL FOOT).

NOTE: THE ENTIRE SOFFIT AREA SHOULD NOT BE VENTED; A RATIO OF SOFFIT VS ATTIC AREA, SHOULD BE VERIFIED WITH BUILDING CODES.



**BERRIDGE
MANUFACTURING
COMPANY**

Roofs of Distinction

OVERVIEW

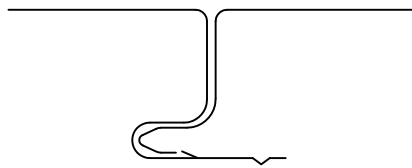
VENTED V-PANEL SYSTEM

Fascia / Wall Panel / Soffit

DATE: 08-05-16

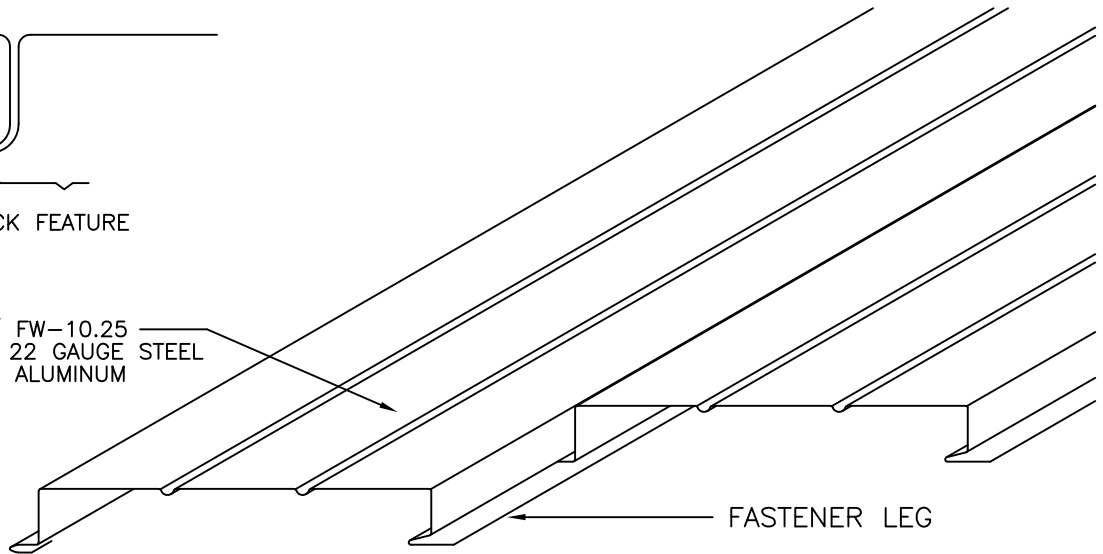
PAGE/FILE

FWS-5



OPTIONAL SEAM LOCK FEATURE

BERRIDGE FW-12 / FW-10.25
 AVAILABLE IN 24 & 22 GAUGE STEEL
 OR, 0.032 & 0.040 ALUMINUM



FASTENER LEG

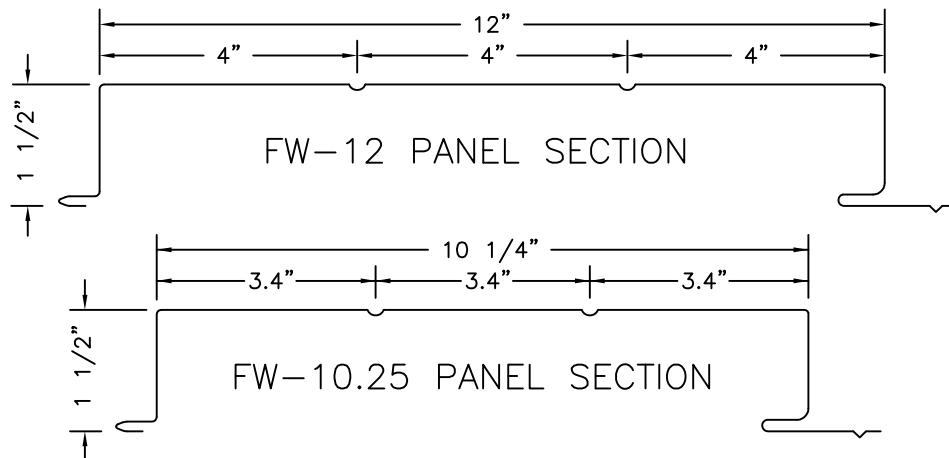
SPANS OVER OPEN FRAMEWORK OR
 SOLID SHEATHING WITH APPROVED
 UNDERLAYMENT
 HIDDEN FASTENERS
 AVAILABLE WITH OUT GROOVES
 MAY BE STUCCO EMBOSSED
 MAY BE STRIATED
 MAY BE VENTED REFERENCE FWSI-1

SECTION PROPERTIES BASED ON 24 GAUGE 40 K.S.I.			
FW-12 PANEL	I_x (In ⁴)	S_x (IN ³)	M_A (Ft.Lbs)
POSITIVE BENDING	0.0922	0.0710	1.70
NEGATIVE BENDING	0.0582	0.0644	1.54

RECOMMENDED LOAD IN POUNDS PER SQUARE FOOT Panel Weight = 1.4 p.s.f.						
SPAN (FEET)	POSITIVE WIND LOAD			NEGATIVE WIND LOAD		
	1-SPAN	2-SPAN	3-SPAN	1-SPAN	2-SPAN	3-SPAN
4'-0"	94	86	100	60d	94	110
5'-0"	48d	55	64	30d	60	71
6'-0"	28d	38	43	18d	42	43d
7'-0"	18d	28	27d	11d	31	27d
8'-0"	12d	21	18d	7d	23d	18d

- NOTES:
1. ALL LOADS MEET L/240 DEFLECTION CRITERIA. (d) DEFLECTION GOVERNS ALLOWABLES.
 2. WIND LOAD ALLOWABLE STRESSES INCREASED BY 33%.
 3. VALUES BASED ON 1986 EDITION OF AISI, MARCH 1987 PRINTING AND GOOD ENGINEERING PRACTICE.

For specific job application recommendations, please contact Berridge Technical Department 1-800-231-8127



**BERRIDGE
 MANUFACTURING
 COMPANY**

OVERVIEW

FW-12 / FW-1025 PANEL SYSTEM

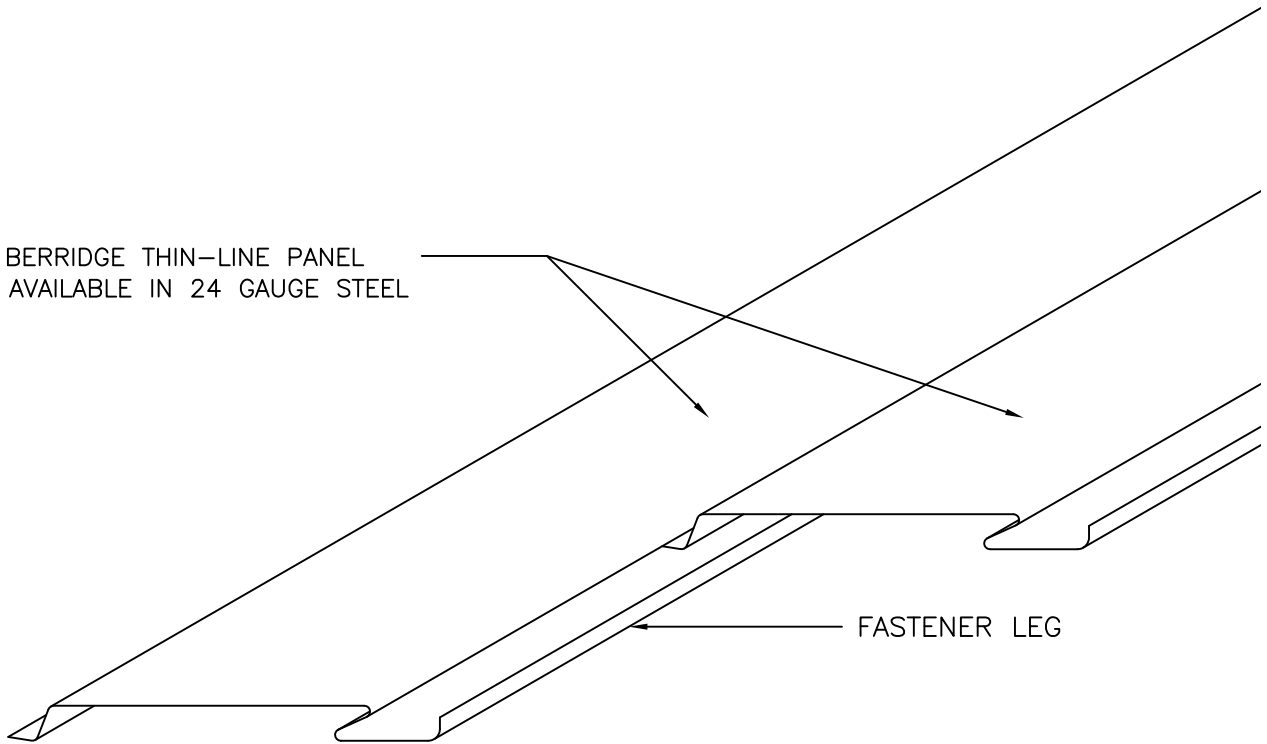
Fascia / Wall Panel / Soffit

DATE: 08-05-16

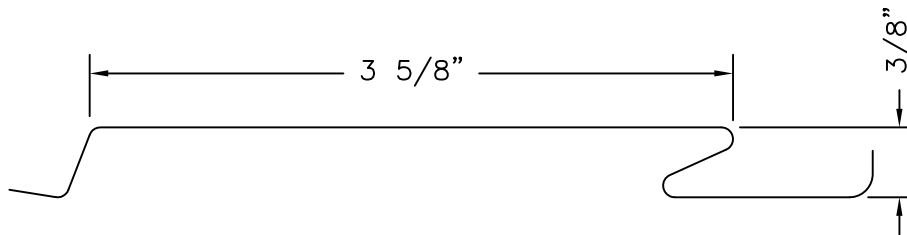
PAGE/FILE

FWS-6

BERRIDGE THIN-LINE PANEL
AVAILABLE IN 24 GAUGE STEEL



SPANS OVER OPEN FRAMEWORK OR
SOLID SHEATHING WITH APPROVED
UNDERLAYMENT
HIDDEN FASTENERS
OPTIONAL STUCCO EMBOSSED TEXTURE
OPTIONAL WOOD GRAIN EMBOSSED TEXTURE



THIN-LINE PANEL SECTION



BERRIDGE
MANUFACTURING
COMPANY

Roofs of Distinction

OVERVIEW

THIN LINE PANEL SYSTEM

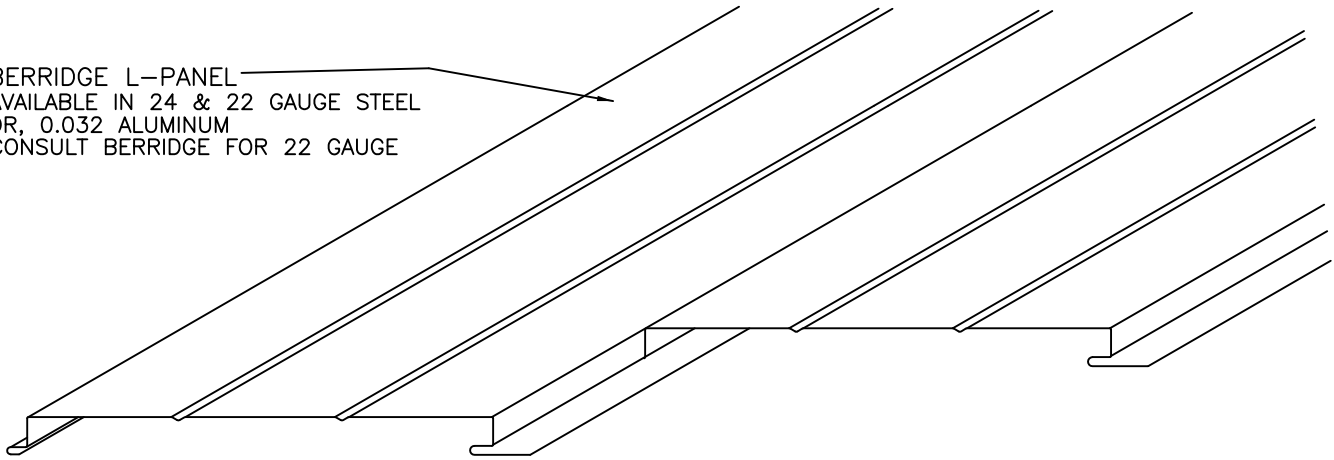
Fascia / Wall Panel / Soffit

DATE: 08-05-16

PAGE/FILE

FWS-7

BERRIDGE L-PANEL
 AVAILABLE IN 24 & 22 GAUGE STEEL
 OR, 0.032 ALUMINUM
 CONSULT BERRIDGE FOR 22 GAUGE



SPANS OVER OPEN FRAMEWORK OR
 SOLID SHEATHING WITH APPROVED
 UNDERLAYMENT
 HIDDEN FASTENERS
 AVAILABLE WITH ONE GROOVE
 AVAILABLE WITH OUT GROOVES
 OPTIONAL STUCCO EMBOSSED TEXTURE
 MAY BE VENTED REFERENCE FWSI-1

11-5/8" L-PANEL PROPERTIES					
24GA.		0.0240 TKNS/INCH		1.46 WT PSF FY 40 KSI	
TOP IN COMPRESSION			BOTTOM IN COMPRESSION		
l_x in ⁴ /ft	S_x in ³ /ft	M_a in-kip/ft	l_x in ⁴ /ft	S_x in ³ /ft	M_a in-kip/ft
0.0253	0.0404	0.97	0.0371	0.0417	1.00

11-5/8" L-PANEL LOAD TABLE WIND PRESSURE ON TOP OF PANEL (PSF)						
SPAN FT	1-SPAN		2-SPAN		3-SPAN	
	STRESS	DEFL L/240	STRESS	DEFL L/240	STRESS	DEFL L/240
3.0	72	61	74	182	86	143
4.0	40	26	42	77	49	60
5.0	26	13	27	39	31	31
6.0	18	8	19	23	22	18

NOTES:
 1. THE PROPERTISE AND LOAD TABLES ARE FOR THE PANEL ALONE. THE PANEL PROFILE HAS BEEN ASSUMED TO REMAIN CONSTANT UNDER LOADING. THE CAPACITY OF CLIPS AND FASTENERS IS NOT INCLUDED.
 2. THE PANEL SECTION PROPERTIES HAVE BEEN CALCULATED IN ACCORDANCE WITH THE 2001 AISI SPECIFICATION.
 3. THE VALUES ABOVE ARE BASED ON 24 GA MATERIAL.



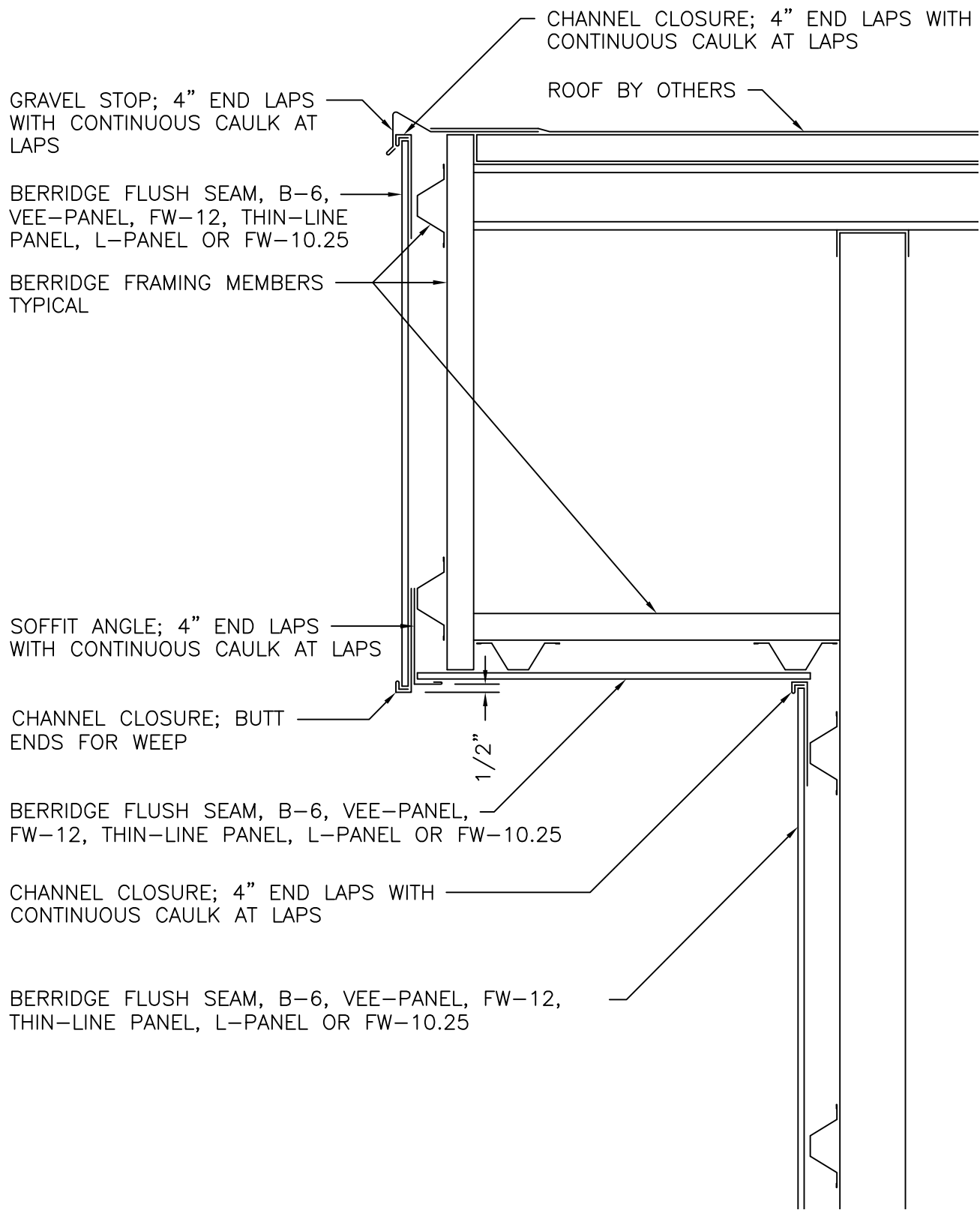
**BERRIDGE
 MANUFACTURING
 COMPANY**

OVERVIEW
L-PANEL SYSTEM

Fascia / Wall Panel / Soffit

DATE: 08-05-16

PAGE/FILE
 FWS-8



**BERRIDGE
MANUFACTURING
COMPANY**

Roofs of Distinction

**TYPICAL
OPEN FRAMING**

Fascia / Wall Panel / Soffit

DATE: 08-05-16

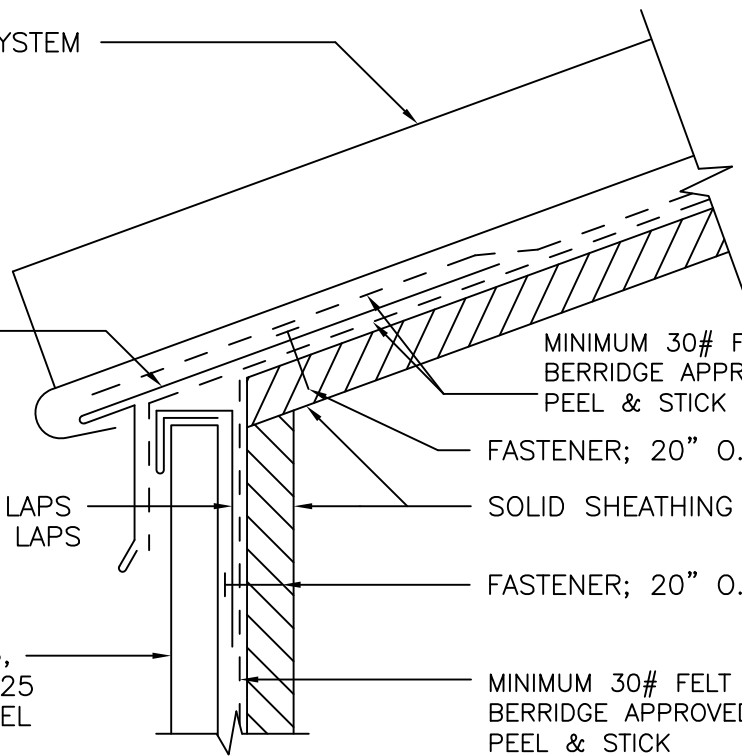
PAGE/FILE
FWS-10

BERRIDGE ROOFING PANEL SYSTEM

EAVE FLASHING; 4" END LAPS WITH CONTINUOUS CAULK AT LAPS

CHANNEL CLOSURE; 4" END LAPS WITH CONTINUOUS CAULK AT LAPS

BERRIDGE FLUSH SEAM, B-6, VEE-PANEL, FW-12, FW-10.25 THIN-LINE PANEL OR L-PANEL



MINIMUM 30# FELT OR BERRIDGE APPROVED PEEL & STICK

FASTENER; 20" O.C. MAX.

SOLID SHEATHING

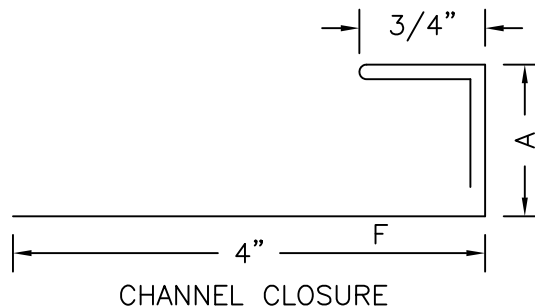
FASTENER; 20" O.C. MAX.

MINIMUM 30# FELT OR BERRIDGE APPROVED PEEL & STICK

1. REFERENCE BERRIDGE'S WEB SITE FOR APPROVED UNDERLAYMENT AND CAULK TYPES CONSULT BERRIDGE MANUFACTURING'S ENGINEERING DEPARTMENT REGARDING FASTENER TYPE & SPACING.
2. SOLID SHEATHING & OR FRAMING MEMBERS, TO MEET ENGINEERING AND ARCHITECTURAL SPECIFICATIONS IN STRENGTH FOR HOLDING POWER OF FASTENERS.
3. REFERENCE INSTALLATION INSTRUCTIONS FOR MINIMUM REQUIREMENTS.

F = FINISH SIDE

- DIMENSION - A
- 5/8" = FLUSH SEAM
 - 3/4" = B-6
 - 1/2" = VEE-PANEL
 - 1 5/8" = FW-12, FW-10.25
 - 1/2" = THIN-LINE
 - 1 1/8" = L-PANEL



BERRIDGE
MANUFACTURING
COMPANY

**EAVE DETAIL
SOLID SHEATHING**

Fascia / Wall Panel / Soffit

DATE: 08-05-16

PAGE/FILE
FWS-20

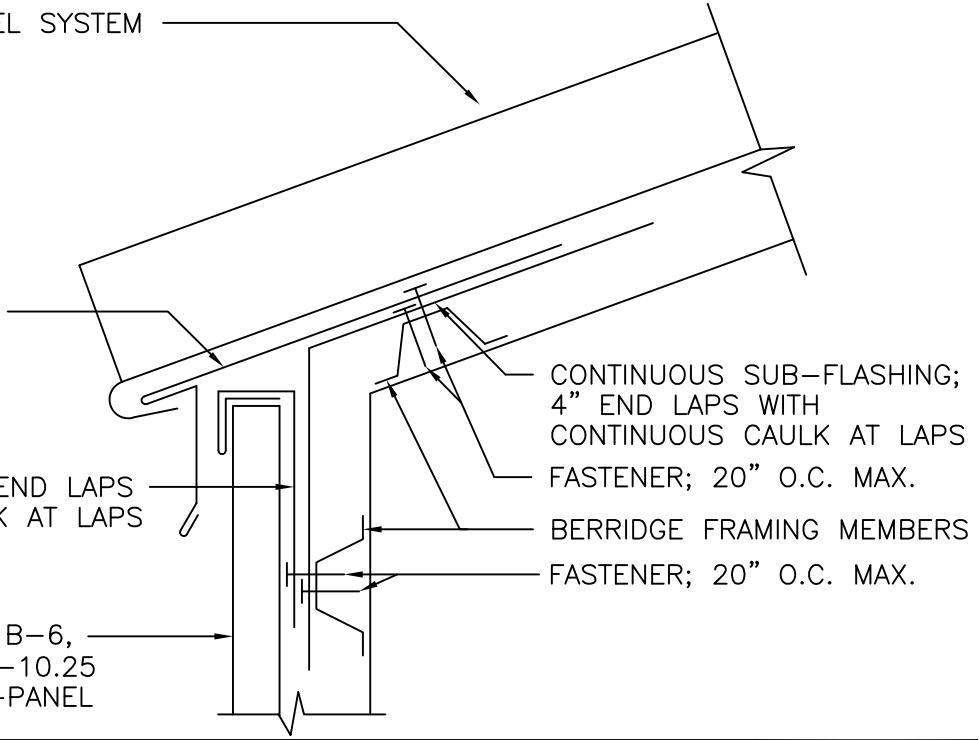
BERRIDGE ROOFING PANEL SYSTEM

EAVE FLASHING; 4" END LAPS WITH CONTINUOUS CAULK AT LAPS

CHANNEL CLOSURE; 4" END LAPS WITH CONTINUOUS CAULK AT LAPS

BERRIDGE FLUSH SEAM, B-6, VEE-PANEL, FW-12, FW-10.25 THIN-LINE PANEL OR L-PANEL

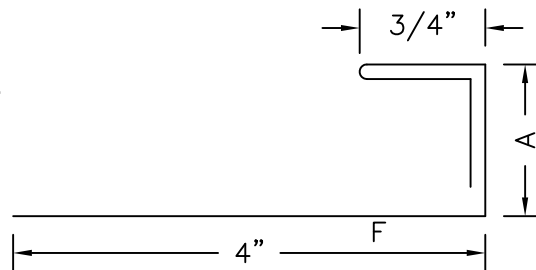
CONTINUOUS SUB-FLASHING; 4" END LAPS WITH CONTINUOUS CAULK AT LAPS
 FASTENER; 20" O.C. MAX.
 BERRIDGE FRAMING MEMBERS
 FASTENER; 20" O.C. MAX.



1. REFERENCE BERRIDGE'S WEB SITE FOR APPROVED UNDERLAYMENT AND CAULK TYPES CONSULT BERRIDGE MANUFACTURING'S ENGINEERING DEPARTMENT REGARDING FASTENER TYPE & SPACING.
2. SOLID SHEATHING & OR FRAMING MEMBERS, TO MEET ENGINEERING AND ARCHITECTURAL SPECIFICATIONS IN STRENGTH FOR HOLDING POWER OF FASTENERS.
3. REFERENCE INSTALLATION INSTRUCTIONS FOR MINIMUM REQUIREMENTS.

- DIMENSION - A
- 5/8" = FLUSH SEAM
 - 3/4" = B-6
 - 1/2" = VEE-PANEL
 - 1 5/8" = FW-12, FW-10.25
 - 1/2" = THIN-LINE
 - 1 1/8" = L-PANEL

F = FINISH SIDE



CHANNEL CLOSURE



**BERRIDGE
 MANUFACTURING
 COMPANY**

**EAVE DETAIL
 OPEN FRAMING**

Fascia / Wall Panel / Soffit

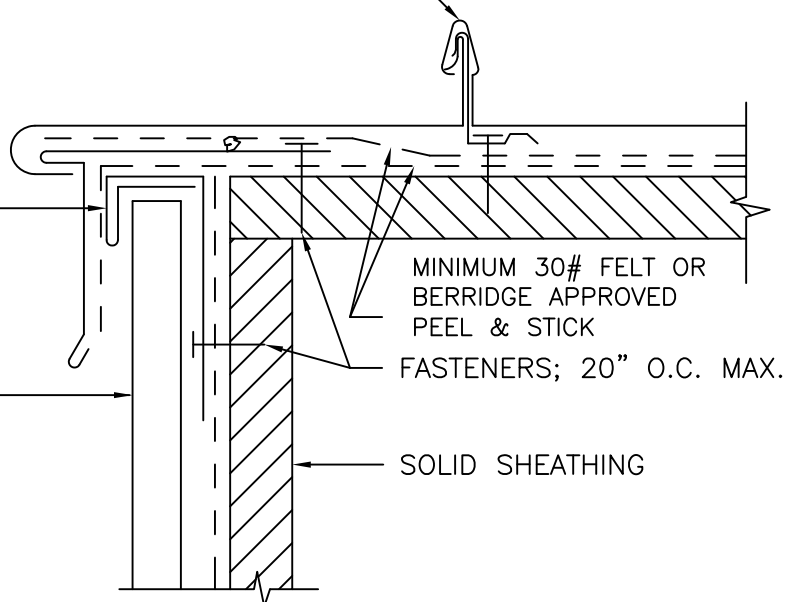
DATE: 08-05-16

PAGE/FILE
 FWS-21

BERRIDGE ROOFING PANEL SYSTEM

CHANNEL CLOSURE; 4" END LAPS WITH CONTINUOUS CAULK AT LAPS

BERRIDGE FLUSH SEAM, B-6, VEE-PANEL, FW-12, THIN-LINE PANEL, L-PANEL OR FW-10.25



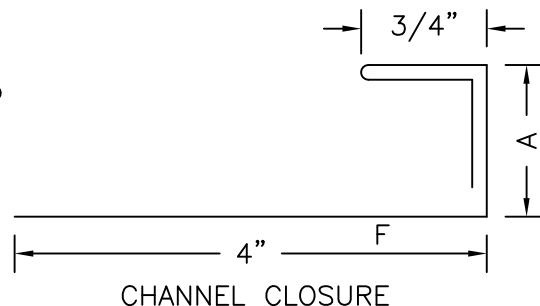
MINIMUM 30# FELT OR BERRIDGE APPROVED PEEL & STICK
FASTENERS; 20" O.C. MAX.

SOLID SHEATHING

1. REFERENCE BERRIDGE'S WEB SITE FOR APPROVED UNDERLAYMENT AND CAULK TYPES CONSULT BERRIDGE MANUFACTURING'S ENGINEERING DEPARTMENT REGARDING FASTENER TYPE & SPACING.
2. SOLID SHEATHING & OR FRAMING MEMBERS, TO MEET ENGINEERING AND ARCHITECTURAL SPECIFICATIONS IN STRENGTH FOR HOLDING POWER OF FASTENERS.
3. REFERENCE INSTALLATION INSTRUCTIONS FOR MINIMUM REQUIREMENTS.

F = FINISH SIDE

- DIMENSION - A
- 5/8" = FLUSH SEAM
 - 3/4" = B-6
 - 1/2" = VEE-PANEL
 - 1 5/8" = FW-12, FW-10.25
 - 1/2" = THIN-LINE
 - 1 1/8" = L-PANEL



CHANNEL CLOSURE



**BERRIDGE
MANUFACTURING
COMPANY**

Roofs of Distinction

**GABLE DETAIL
SOLID SHEATHING**

Fascia / Wall Panel / Soffit

DATE: 08-05-16

PAGE/FILE
FWS-30

BERRIDGE ROOFING PANEL SYSTEM

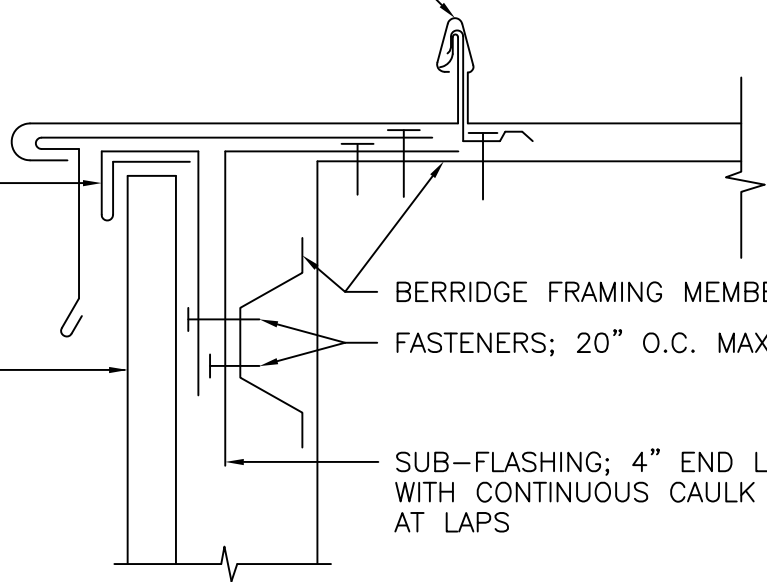
CHANNEL CLOSURE; 4" END LAPS WITH CONTINUOUS CAULK AT LAPS

BERRIDGE FLUSH SEAM, B-6, VEE-PANEL, FW-12, THIN-LINE PANEL, L-PANEL OR FW-10.25

BERRIDGE FRAMING MEMBERS

FASTENERS; 20" O.C. MAX.

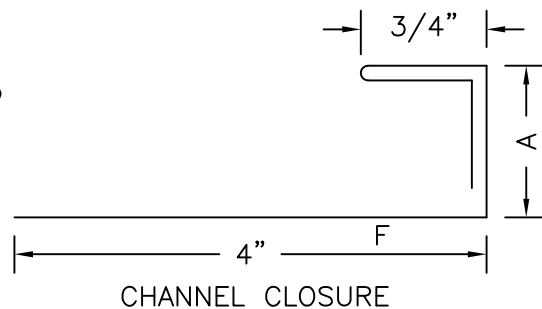
SUB-FLASHING; 4" END LAPS WITH CONTINUOUS CAULK AT LAPS



1. REFERENCE BERRIDGE'S WEB SITE FOR APPROVED UNDERLAYMENT AND CAULK TYPES CONSULT BERRIDGE MANUFACTURING'S ENGINEERING DEPARTMENT REGARDING FASTENER TYPE & SPACING.
2. SOLID SHEATHING & OR FRAMING MEMBERS, TO MEET ENGINEERING AND ARCHITECTURAL SPECIFICATIONS IN STRENGTH FOR HOLDING POWER OF FASTENERS.
3. REFERENCE INSTALLATION INSTRUCTIONS FOR MINIMUM REQUIREMENTS.

F = FINISH SIDE

- DIMENSION - A
- 5/8" = FLUSH SEAM
 - 3/4" = B-6
 - 1/2" = VEE-PANEL
 - 1 5/8" = FW-12, FW-10.25
 - 1/2" = THIN-LINE
 - 1 1/8" = L-PANEL



BERRIDGE
MANUFACTURING
COMPANY

**GABLE DETAIL
OPEN FRAMING**

Fascia / Wall Panel / Soffit

DATE: 08-05-16

PAGE/FILE
FWS-31

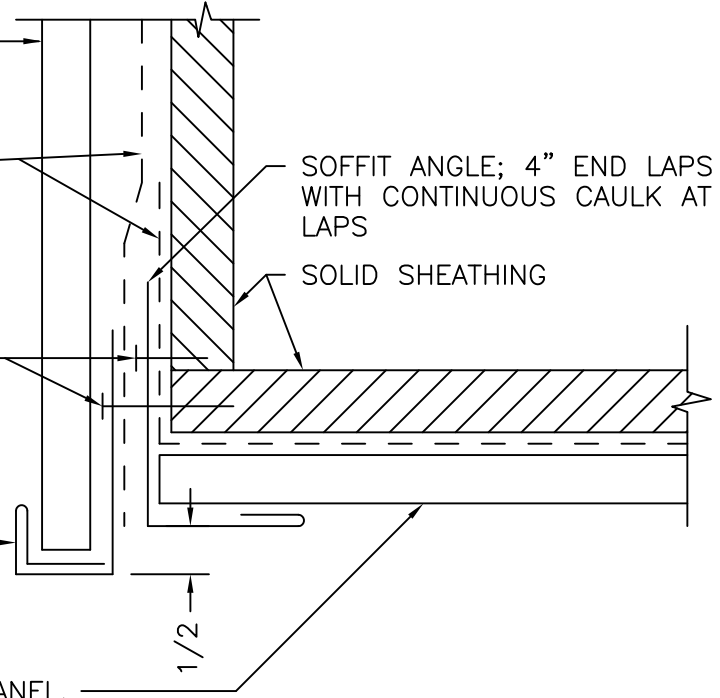
BERRIDGE FLUSH SEAM, B-6,
VEE-PANEL, FW-12, THIN-LINE
PANEL, L-PANEL OR FW-10.25

MINIMUM 30# FELT OR
BERRIDGE APPROVED
PEEL & STICK

FASTENERS; 20" O.C. MAX.

CHANNEL CLOSURE; BUTT
END JOINTS FOR WEEP

BERRIDGE FLUSH SEAM, B-6, VEE-PANEL,
FW-12, THIN-LINE PANEL, L-PANEL OR FW-10.25



1. REFERENCE BERRIDGE'S WEB SITE FOR APPROVED UNDERLAYMENT AND CAULK TYPES CONSULT BERRIDGE MANUFACTURING'S ENGINEERING DEPARTMENT REGARDING FASTENER TYPE & SPACING.
2. SOLID SHEATHING & OR FRAMING MEMBERS, TO MEET ENGINEERING AND ARCHITECTURAL SPECIFICATIONS IN STRENGTH FOR HOLDING POWER OF FASTENERS.
3. REFERENCE INSTALLATION INSTRUCTIONS FOR MINIMUM REQUIREMENTS.

DIMENSION - A

5/8" = FLUSH SEAM

3/4" = B-6

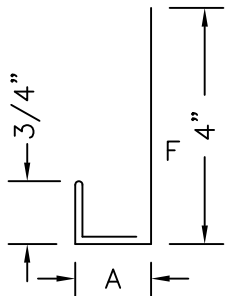
1/2" = VEE-PANEL

1 5/8" = FW-12, FW-10.25

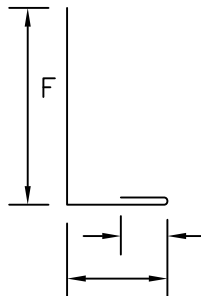
1/2" = THIN-LINE

1 1/8" = L-PANEL

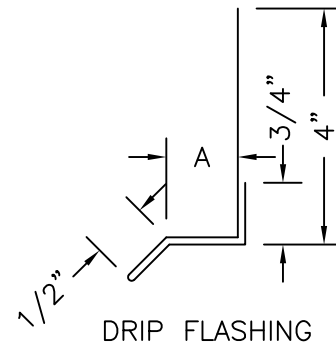
F = FINISH SIDE



CHANNEL CLOSURE



SOFFIT ANGLE



DRIP FLASHING MAYBE USED IN
PLACE OF CHANNEL CLOSURE
FLASHING TO HAVE 4" END LAPS
WITH CONTINUOUS CAULK AT LAPS



BERRIDGE
MANUFACTURING
COMPANY

FASCIA/SOFFIT DETAIL SOLID SHEATHING

Fascia / Wall Panel / Soffit

DATE: 08-05-16

PAGE/FILE
FWS-40

BERRIDGE FLUSH SEAM, B-6,
VEE-PANEL, FW-12, THIN-LINE
PANEL, L-PANEL OR FW-10.25

SUB FLASHING; 4" END LAPS
WITH CONTINUOUS CAULK AT
LAPS

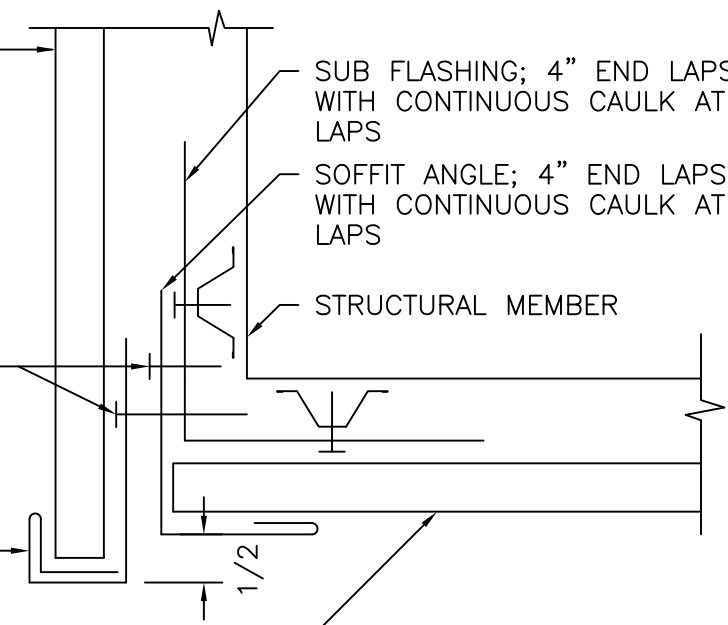
SOFFIT ANGLE; 4" END LAPS
WITH CONTINUOUS CAULK AT
LAPS

STRUCTURAL MEMBER

FASTENERS; 20" O.C. MAX.

CHANNEL CLOSURE; BUTT
END JOINTS FOR WEEP

BERRIDGE FLUSH SEAM, B-6, VEE-PANEL,
FW-12, THIN-LINE PANEL, L-PANEL OR FW-10.25



1. REFERENCE BERRIDGE'S WEB SITE FOR APPROVED UNDERLAYMENT AND CAULK TYPES
CONSULT BERRIDGE MANUFACTURING'S ENGINEERING DEPARTMENT REGARDING FASTENER
TYPE & SPACING.
2. SOLID SHEATHING & OR FRAMING MEMBERS, TO MEET ENGINEERING AND ARCHITECTURAL
SPECIFICATIONS IN STRENGTH FOR HOLDING POWER OF FASTENERS.
3. REFERENCE INSTALLATION INSTRUCTIONS FOR MINIMUM REQUIREMENTS.

DIMENSION - A

5/8" = FLUSH SEAM

3/4" = B-6

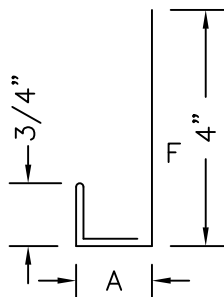
1/2" = VEE-PANEL

1 5/8" = FW-12, FW-10.25

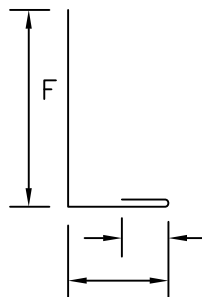
1/2" = THIN-LINE

1 1/8" = L-PANEL

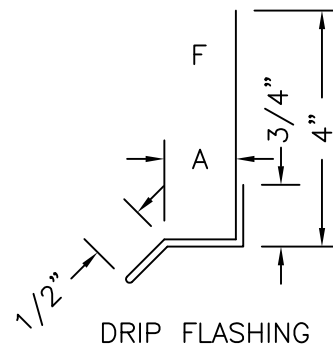
F = FINISH SIDE



CHANNEL CLOSURE



SOFFIT ANGLE



DRIP FLASHING

DRIP FLASHING MAYBE USED IN
PLACE OF CHANNEL CLOSURE
FLASHING TO HAVE 4" END LAPS
WITH CONTINUOUS CAULK AT LAPS



**BERRIDGE
MANUFACTURING
COMPANY**

Roofs of Distinction

**FASCIA/SOFFIT DETAIL
OPEN FRAMING**

Fascia / Wall Panel / Soffit

DATE: 08-05-16

PAGE/FILE
FWS-41

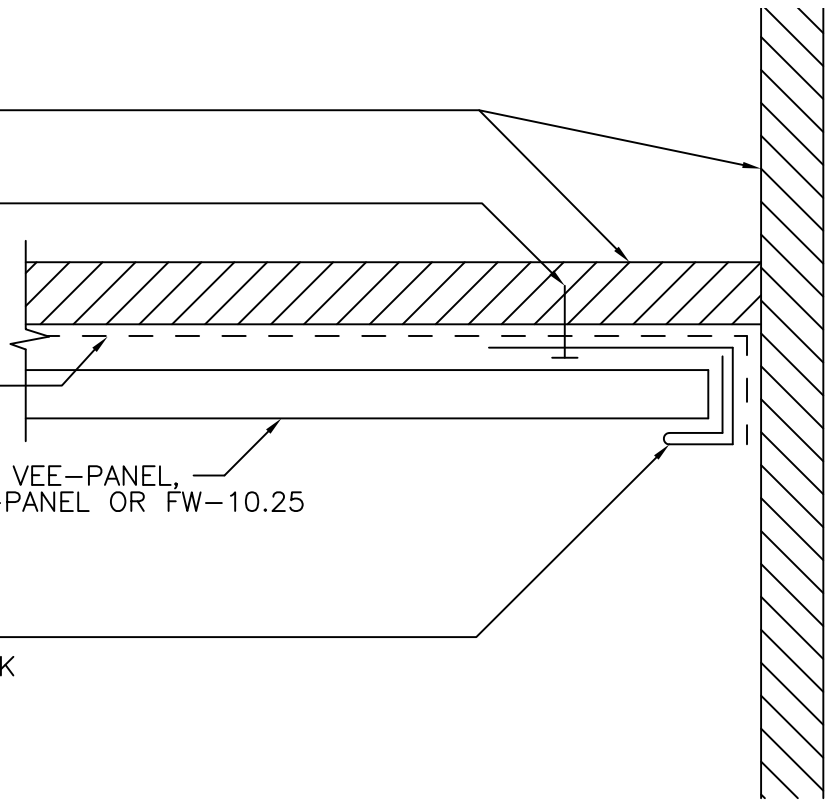
SOLID SHEATHING

FASTENERS; 20" O.C. MAX.

MINIMUM 30# FELT OR
BERRIDGE APPROVED
PEEL & STICK

BERRIDGE FLUSH SEAM, B-6, VEE-PANEL,
FW-12, THIN-LINE PANEL, L-PANEL OR FW-10.25

CHANNEL CLOSURE; 4" END
LAPS WITH CONTINUOUS CAULK
AT LAPS



1. REFERENCE BERRIDGE'S WEB SITE FOR APPROVED UNDERLAYMENT AND CAULK TYPES CONSULT BERRIDGE MANUFACTURING'S ENGINEERING DEPARTMENT REGARDING FASTENER TYPE & SPACING.
2. SOLID SHEATHING & OR FRAMING MEMBERS, TO MEET ENGINEERING AND ARCHITECTURAL SPECIFICATIONS IN STRENGTH FOR HOLDING POWER OF FASTENERS.
3. REFERENCE INSTALLATION INSTRUCTIONS FOR MINIMUM REQUIREMENTS.

DIMENSION - A

5/8" = FLUSH SEAM

3/4" = B-6

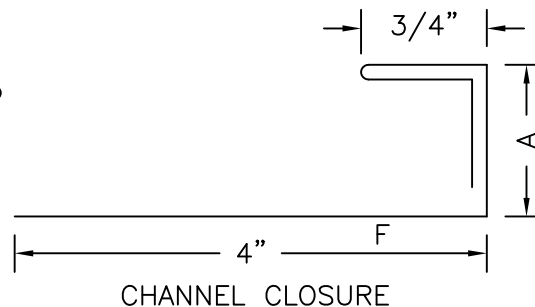
1/2" = VEE-PANEL

1 5/8" = FW-12, FW-10.25

1/2" = THIN-LINE

1 1/8" = L-PANEL

F = FINISH SIDE



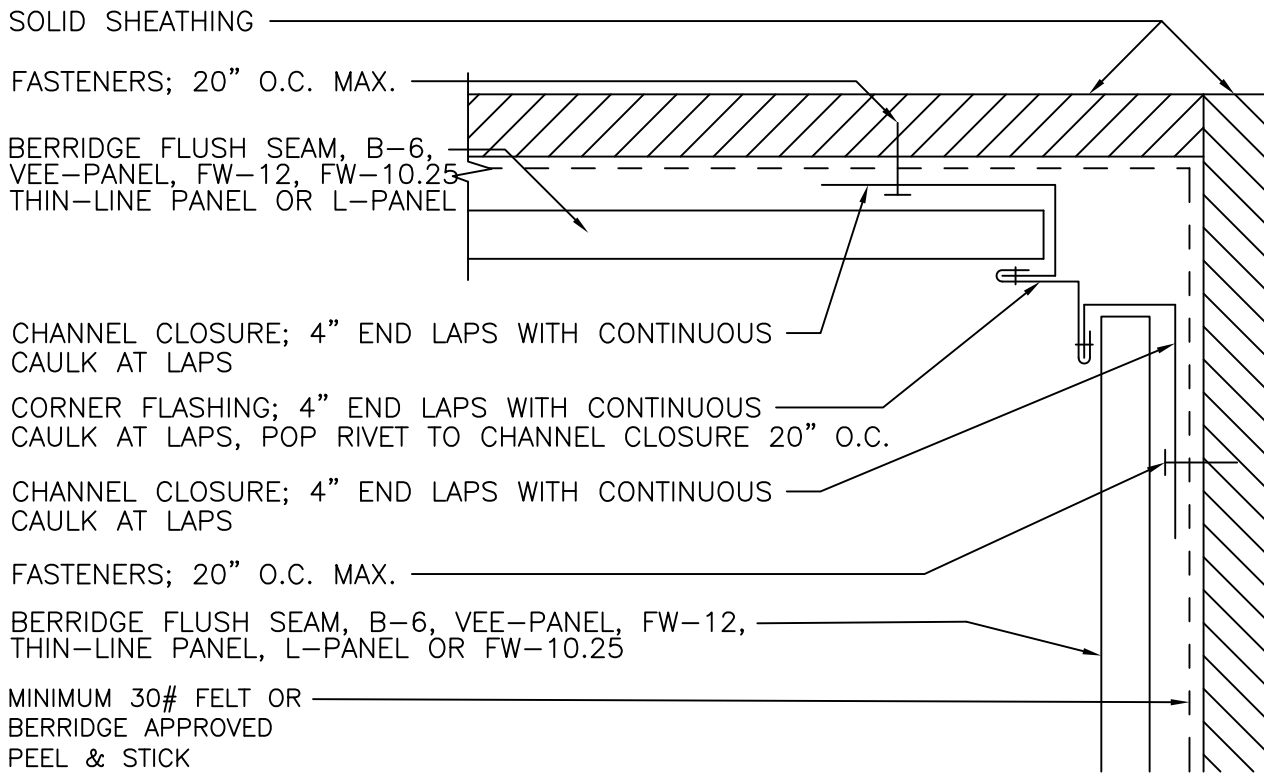
**BERRIDGE
MANUFACTURING
COMPANY**

**SOFFIT TO BUILDING DETAIL
SOLID SHEATHING**

Fascia / Wall Panel / Soffit

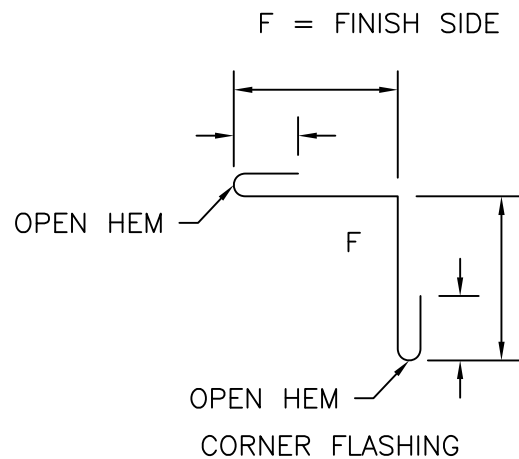
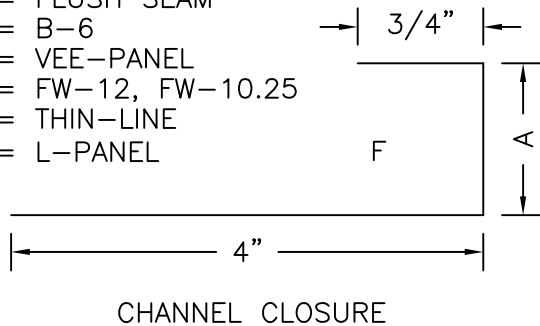
DATE: 08-05-16

PAGE/FILE
FWS-42



1. REFERENCE BERRIDGE'S WEB SITE FOR APPROVED UNDERLAYMENT AND CAULK TYPES
CONSULT BERRIDGE MANUFACTURING'S ENGINEERING DEPARTMENT REGARDING FASTENER
TYPE & SPACING.
2. SOLID SHEATHING & OR FRAMING MEMBERS, TO MEET ENGINEERING AND ARCHITECTURAL
SPECIFICATIONS IN STRENGTH FOR HOLDING POWER OF FASTENERS.
3. REFERENCE INSTALLATION INSTRUCTIONS FOR MINIMUM REQUIREMENTS.

- DIMENSION - A
- 5/8" = FLUSH SEAM
 - 3/4" = B-6
 - 1/2" = VEE-PANEL
 - 1 5/8" = FW-12, FW-10.25
 - 1/2" = THIN-LINE
 - 1 1/8" = L-PANEL



**BERRIDGE
MANUFACTURING
COMPANY**

INSIDE CORNER DETAIL SOLID SHEATHING

Fascia / Wall Panel / Soffit

DATE: 08-05-16

PAGE/FILE
FWS-50

FRAMING MEMBERS

FASTENERS; 20" O.C. MAX.

BERRIDGE FLUSH SEAM, B-6,
VEE-PANEL, FW-12, FW-10.25
THIN-LINE PANEL OR L-PANEL

SUB-FLASHING; 4" END LAPS WITH CONTINUOUS
CAULK AT LAPS

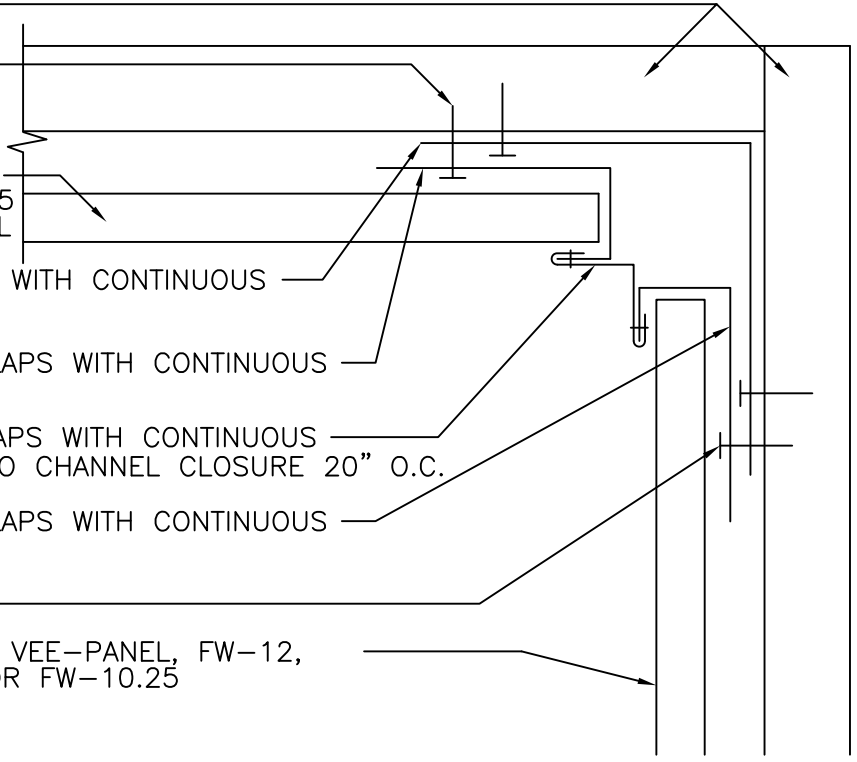
CHANNEL CLOSURE; 4" END LAPS WITH CONTINUOUS
CAULK AT LAPS

CORNER FLASHING; 4" END LAPS WITH CONTINUOUS
CAULK AT LAPS, POP RIVET TO CHANNEL CLOSURE 20" O.C.

CHANNEL CLOSURE; 4" END LAPS WITH CONTINUOUS
CAULK AT LAPS

FASTENERS; 20" O.C. MAX.

BERRIDGE FLUSH SEAM, B-6, VEE-PANEL, FW-12,
THIN-LINE PANEL, L-PANEL OR FW-10.25



1. REFERENCE BERRIDGE'S WEB SITE FOR APPROVED UNDERLAYMENT AND CAULK TYPES
CONSULT BERRIDGE MANUFACTURING'S ENGINEERING DEPARTMENT REGARDING FASTENER
TYPE & SPACING.
2. SOLID SHEATHING & OR FRAMING MEMBERS, TO MEET ENGINEERING AND ARCHITECTURAL
SPECIFICATIONS IN STRENGTH FOR HOLDING POWER OF FASTENERS.
3. REFERENCE INSTALLATION INSTRUCTIONS FOR MINIMUM REQUIREMENTS.

DIMENSION - A

5/8" = FLUSH SEAM

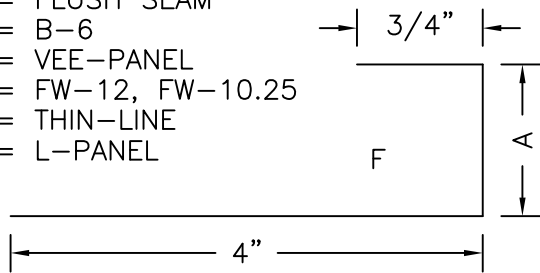
3/4" = B-6

1/2" = VEE-PANEL

1 5/8" = FW-12, FW-10.25

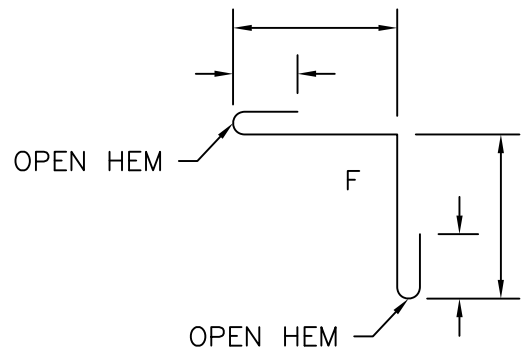
1 1/2" = THIN-LINE

1 1/8" = L-PANEL



CHANNEL CLOSURE

F = FINISH SIDE



CORNER FLASHING



**BERRIDGE
MANUFACTURING
COMPANY**

INSIDE CORNER DETAIL OPEN FRAMING

Fascia / Wall Panel / Soffit

DATE: 08-05-16

PAGE/FILE
FWS-51

BERRIDGE FLUSH SEAM, B-6, VEE-PANEL, FW-12,
THIN-LINE PANEL, L-PANEL OR FW-10.25

FASTENERS; 20" O.C. MAX.

CHANNEL CLOSURE; 4" END LAPS WITH CONTINUOUS
CAULK AT LAPS

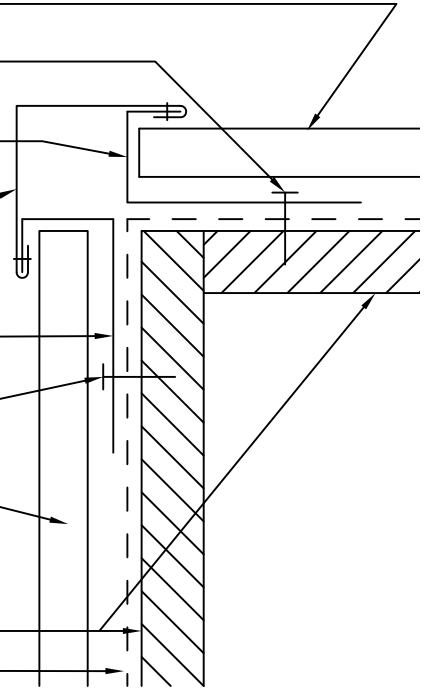
CORNER FLASHING; 4" END LAPS WITH CONTINUOUS
CAULK AT LAPS, POP RIVET TO CHANNEL CLOSURE 20" O.C.

CHANNEL CLOSURE; 4" END LAPS WITH CONTINUOUS
CAULK AT LAPS

FASTENERS; 20" O.C. MAX.

BERRIDGE FLUSH SEAM, B-6, VEE-PANEL, FW-12,
THIN-LINE PANEL, L-PANEL OR FW-10.25

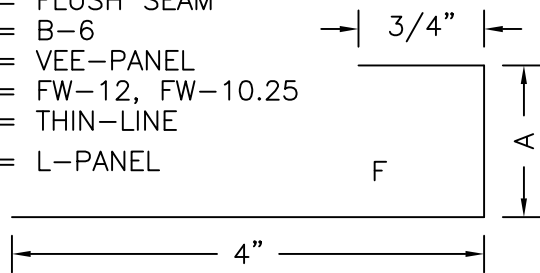
SOLID SHEATHING
MINIMUM 30# FELT OR
BERRIDGE APPROVED
PEEL & STICK



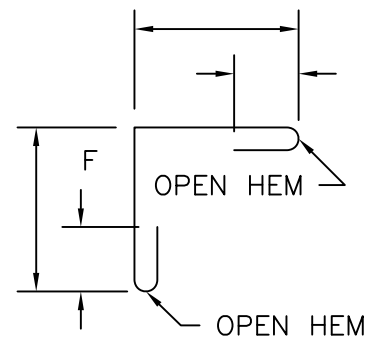
1. REFERENCE BERRIDGE'S WEB SITE FOR APPROVED UNDERLAYMENT AND CAULK TYPES
CONSULT BERRIDGE MANUFACTURING'S ENGINEERING DEPARTMENT REGARDING FASTENER
TYPE & SPACING.
2. SOLID SHEATHING & OR FRAMING MEMBERS, TO MEET ENGINEERING AND ARCHITECTURAL
SPECIFICATIONS IN STRENGTH FOR HOLDING POWER OF FASTENERS.
3. REFERENCE INSTALLATION INSTRUCTIONS FOR MINIMUM REQUIREMENTS.

F = FINISH SIDE

- DIMENSION - A
- 5/8" = FLUSH SEAM
 - 3/4" = B-6
 - 1/2" = VEE-PANEL
 - 1 5/8" = FW-12, FW-10.25
 - 1 1/2" = THIN-LINE
 - 1 1/8" = L-PANEL



CHANNEL CLOSURE



CORNER FLASHING



**BERRIDGE
MANUFACTURING
COMPANY**

**OUTSIDE CORNER DETAIL
SOLID SHEATHING**

Fascia / Wall Panel / Soffit

DATE: 08-05-16

PAGE/FILE
FWS-52

BERRIDGE FLUSH SEAM, B-6, VEE-PANEL, FW-12,
THIN-LINE PANEL, L-PANEL OR FW-10.25

FASTENERS; 20" O.C. MAX.

CHANNEL CLOSURE; 4" END LAPS WITH CONTINUOUS
CAULK AT LAPS

CORNER FLASHING; 4" END LAPS WITH CONTINUOUS
CAULK AT LAPS, POP RIVET TO CHANNEL CLOSURE 20" O.C.

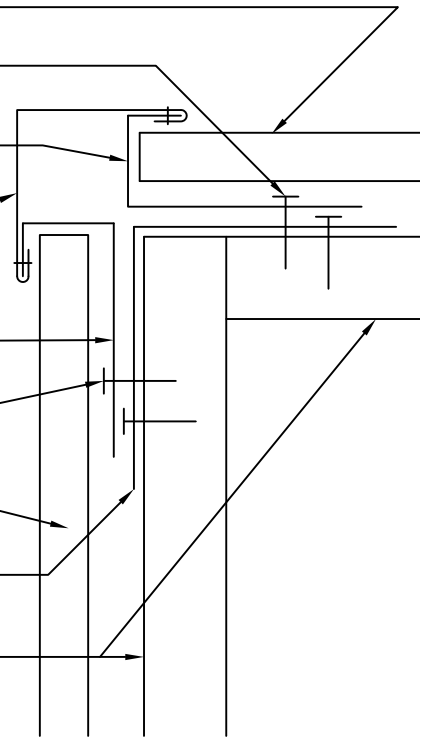
CHANNEL CLOSURE; 4" END LAPS WITH CONTINUOUS
CAULK AT LAPS

FASTENERS; 20" O.C. MAX.

BERRIDGE FLUSH SEAM, B-6, VEE-PANEL, FW-12,
THIN-LINE PANEL, L-PANEL OR FW-10.25

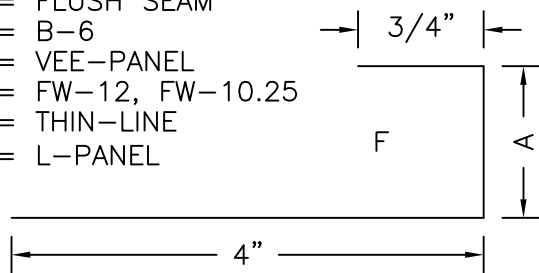
SUB-FLASHING; 4" END LAPS WITH CONTINUOUS CAULK
CAULK AT LAPS

FRAMING MEMBERS



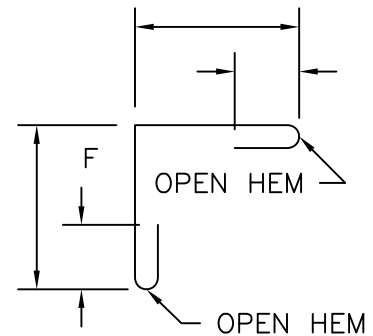
1. REFERENCE BERRIDGE'S WEB SITE FOR APPROVED UNDERLAYMENT AND CAULK TYPES
CONSULT BERRIDGE MANUFACTURING'S ENGINEERING DEPARTMENT REGARDING FASTENER
TYPE & SPACING.
2. SOLID SHEATHING & OR FRAMING MEMBERS, TO MEET ENGINEERING AND ARCHITECTURAL
SPECIFICATIONS IN STRENGTH FOR HOLDING POWER OF FASTENERS.
3. REFERENCE INSTALLATION INSTRUCTIONS FOR MINIMUM REQUIREMENTS.

- DIMENSION - A
- 5/8" = FLUSH SEAM
 - 3/4" = B-6
 - 1/2" = VEE-PANEL
 - 1 5/8" = FW-12, FW-10.25
 - 1/2" = THIN-LINE
 - 1 1/8" = L-PANEL



CHANNEL CLOSURE

F = FINISH SIDE



CORNER FLASHING



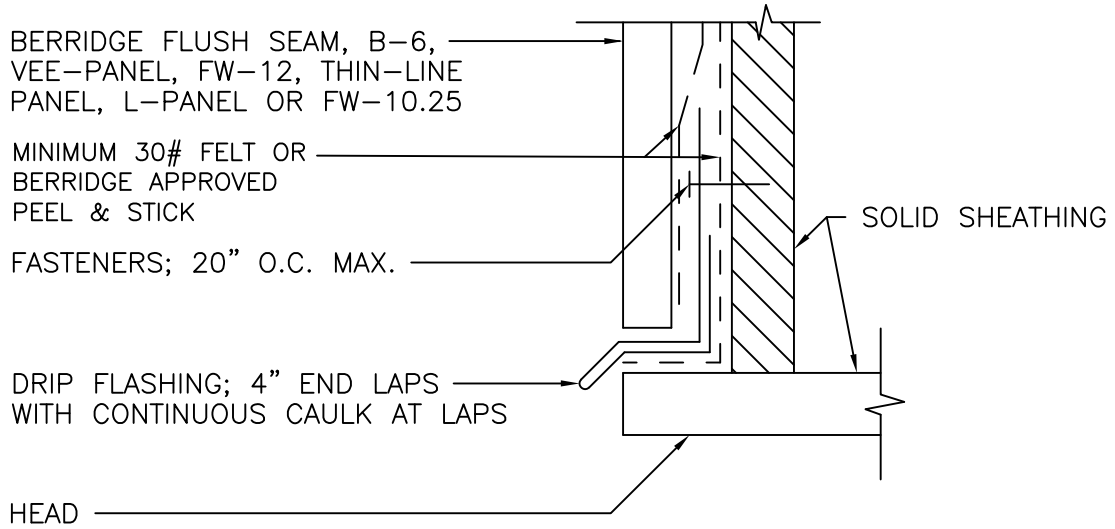
**BERRIDGE
MANUFACTURING
COMPANY**

OUTSIDE CORNER DETAIL OPEN FRAMING

Fascia / Wall Panel / Soffit

DATE: 08-05-16

PAGE/FILE
FWS-53

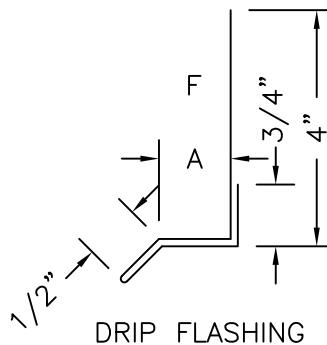


1. REFERENCE BERRIDGE'S WEB SITE FOR APPROVED UNDERLAYMENT AND CAULK TYPES CONSULT BERRIDGE MANUFACTURING'S ENGINEERING DEPARTMENT REGARDING FASTENER TYPE & SPACING.
2. SOLID SHEATHING & OR FRAMING MEMBERS, TO MEET ENGINEERING AND ARCHITECTURAL SPECIFICATIONS IN STRENGTH FOR HOLDING POWER OF FASTENERS.
3. REFERENCE INSTALLATION INSTRUCTIONS FOR MINIMUM REQUIREMENTS.

DIMENSION - A

- 5/8" = FLUSH SEAM
- 3/4" = B-6
- 1/2" = VEE-PANEL
- 1 5/8" = FW-12, FW-10.25
- 1/2" = THIN-LINE
- 1 1/8" = L-PANEL

F = FINISH SIDE



BERRIDGE
MANUFACTURING
COMPANY

HEAD DETAIL
SOLID SHEATHING

Fascia / Wall Panel / Soffit

DATE: 08-05-16

PAGE/FILE
 FWS-60

BERRIDGE FLUSH SEAM, B-6,
VEE-PANEL, FW-12, THIN-LINE
PANEL, L-PANEL OR FW-10.25

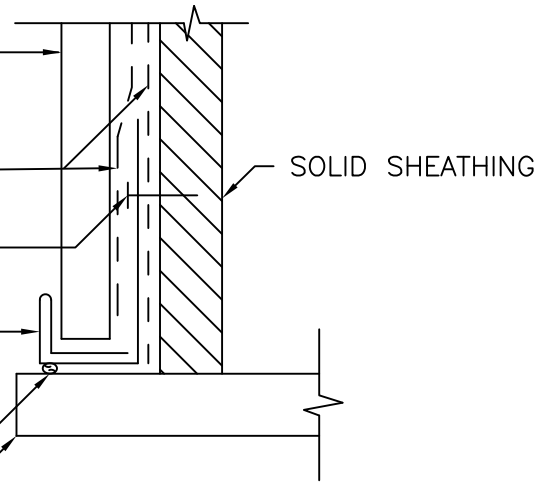
MINIMUM 30# FELT OR
BERRIDGE APPROVED
PEEL & STICK

FASTENERS; 20" O.C. MAX.

CHANNEL CLOSURE; 4" END LAPS
WITH CONTINUOUS CAULK AT LAPS

CONTINUOUS BEAD OF CAULK AND
BACKER ROD

JAMB

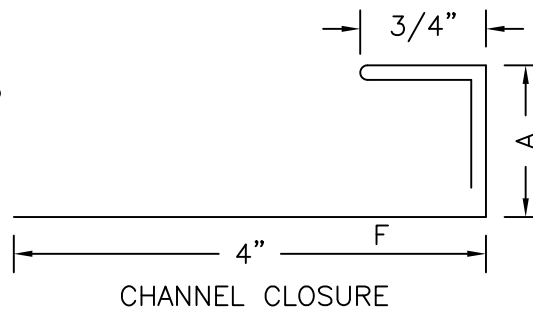


1. REFERENCE BERRIDGE'S WEB SITE FOR APPROVED UNDERLAYMENT AND CAULK TYPES
CONSULT BERRIDGE MANUFACTURING'S ENGINEERING DEPARTMENT REGARDING FASTENER
TYPE & SPACING.
2. SOLID SHEATHING & OR FRAMING MEMBERS, TO MEET ENGINEERING AND ARCHITECTURAL
SPECIFICATIONS IN STRENGTH FOR HOLDING POWER OF FASTENERS.
3. REFERENCE INSTALLATION INSTRUCTIONS FOR MINIMUM REQUIREMENTS.

DIMENSION - A

- 5/8" = FLUSH SEAM
- 3/4" = B-6
- 1/2" = VEE-PANEL
- 1 5/8" = FW-12, FW-10.25
- 1/2" = THIN-LINE
- 1 1/8" = L-PANEL

F = FINISH SIDE



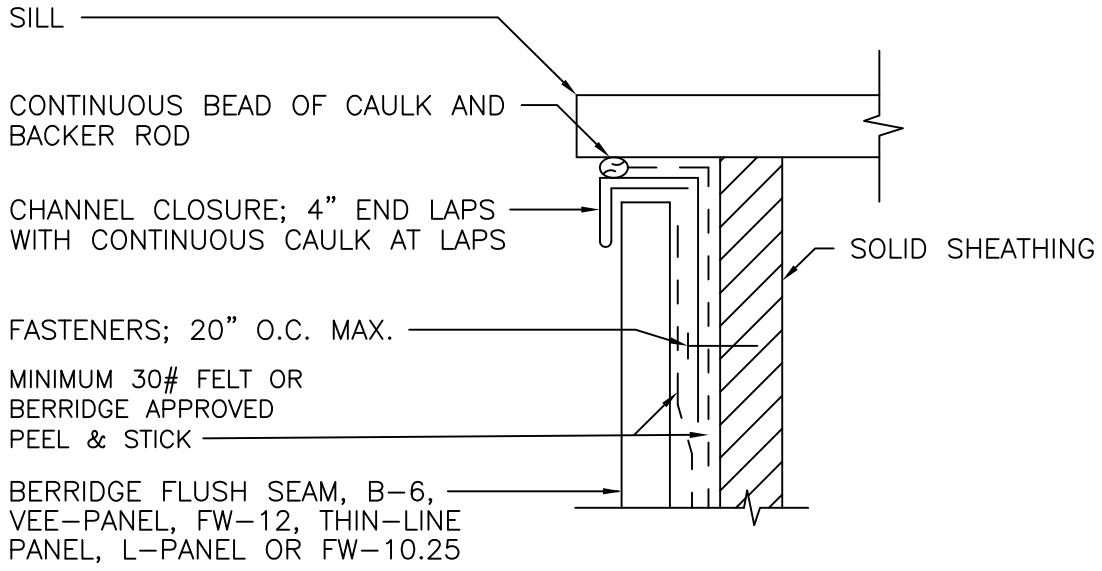
**BERRIDGE
MANUFACTURING
COMPANY**

JAMB DETAIL SOLID SHEATHING

Fascia / Wall Panel / Soffit

DATE: 08-05-16

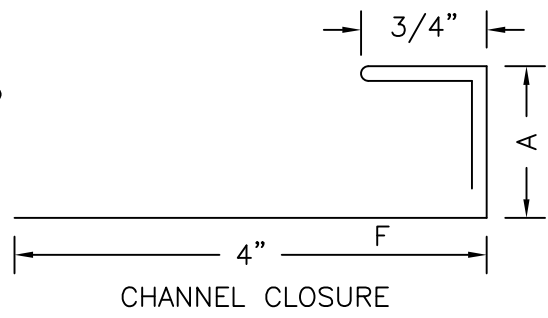
PAGE/FILE
FWS-61



1. REFERENCE BERRIDGE'S WEB SITE FOR APPROVED UNDERLAYMENT AND CAULK TYPES CONSULT BERRIDGE MANUFACTURING'S ENGINEERING DEPARTMENT REGARDING FASTENER TYPE & SPACING.
2. SOLID SHEATHING & OR FRAMING MEMBERS, TO MEET ENGINEERING AND ARCHITECTURAL SPECIFICATIONS IN STRENGTH FOR HOLDING POWER OF FASTENERS.
3. REFERENCE INSTALLATION INSTRUCTIONS FOR MINIMUM REQUIREMENTS.

F = FINISH SIDE

- DIMENSION - A
- 5/8" = FLUSH SEAM
 - 3/4" = B-6
 - 1/2" = VEE-PANEL
 - 1 5/8" = FW-12, FW-10.25
 - 1/2" = THIN-LINE
 - 1 1/8" = L-PANEL



**BERRIDGE
MANUFACTURING
COMPANY**

**SILL DETAIL
SOLID SHEATHING**

Fascia / Wall Panel / Soffit

DATE: 08-05-16

PAGE/FILE
FWS-62

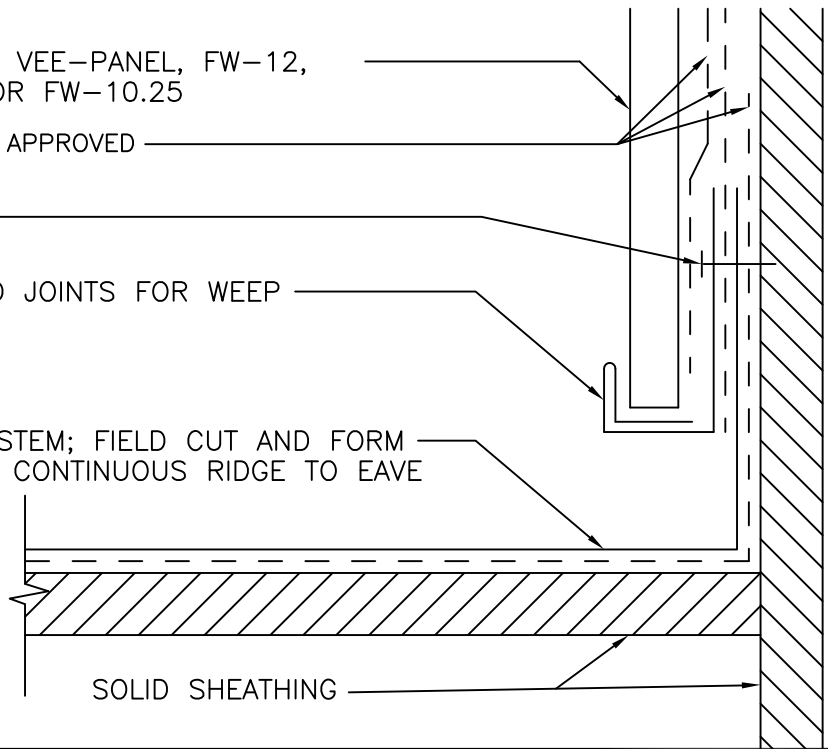
BERRIDGE FLUSH SEAM, B-6, VEE-PANEL, FW-12,
THIN-LINE PANEL, L-PANEL OR FW-10.25

MINIMUM 30# FELT OR BERRIDGE APPROVED
PEEL & STICK

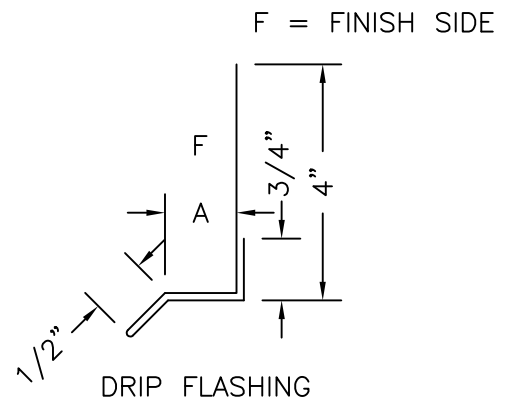
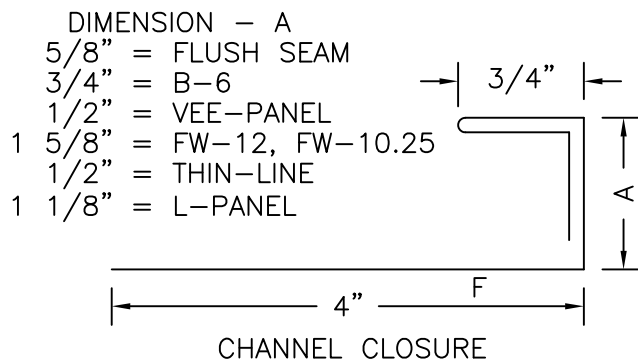
FASTENERS; 20" O.C. MAX.

CHANNEL CLOSURE; BUTT END JOINTS FOR WEEP

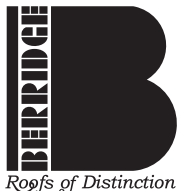
BERRIDGE ROOFING PANEL SYSTEM; FIELD CUT AND FORM
PANEL TO RAKE WALL. PANEL CONTINUOUS RIDGE TO EAVE



1. REFERENCE BERRIDGE'S WEB SITE FOR APPROVED UNDERLAYMENT AND CAULK TYPES CONSULT BERRIDGE MANUFACTURING'S ENGINEERING DEPARTMENT REGARDING FASTENER TYPE & SPACING.
2. SOLID SHEATHING & OR FRAMING MEMBERS, TO MEET ENGINEERING AND ARCHITECTURAL SPECIFICATIONS IN STRENGTH FOR HOLDING POWER OF FASTENERS.
3. REFERENCE INSTALLATION INSTRUCTIONS FOR MINIMUM REQUIREMENTS.



DRIP FLASHING MAYBE USED IN
PLACE OF CHANNEL CLOSURE
FLASHING TO HAVE 4" END LAPS
WITH CONTINUOUS CAULK AT LAPS



**BERRIDGE
MANUFACTURING
COMPANY**

Roofs of Distinction

RAKE DETAIL SOLID SHEATHING

Fascia / Wall Panel / Soffit

DATE: 08-05-16

PAGE/FILE
FWS-70

BERRIDGE FLUSH SEAM, B-6, VEE-PANEL, FW-12, THIN-LINE PANEL, L-PANEL OR FW-10.25

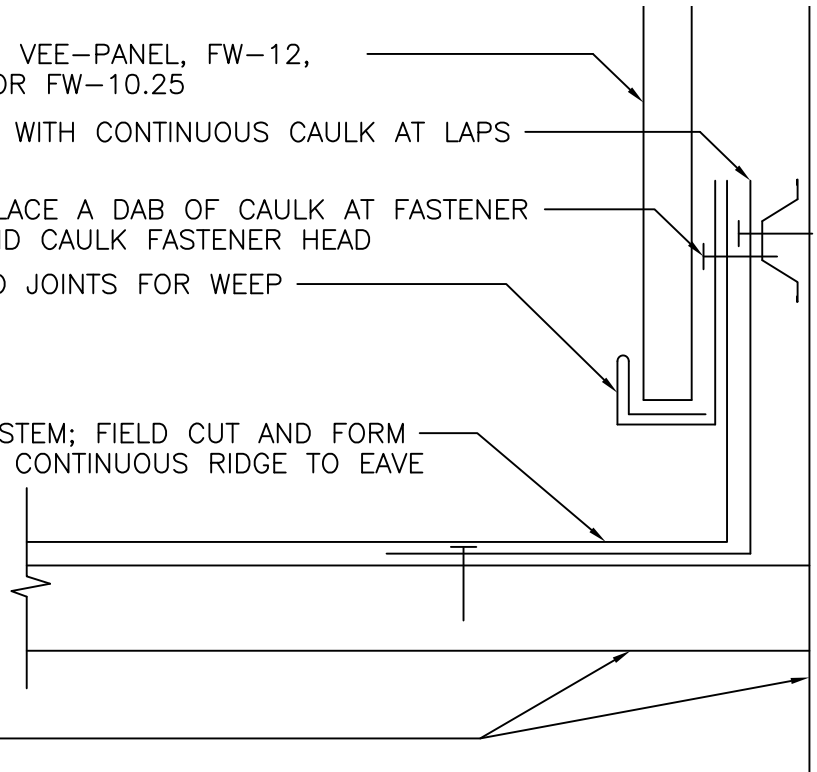
SUB-FLASHING; 4" END LAPS WITH CONTINUOUS CAULK AT LAPS

FASTENERS; 20" O.C. MAX. PLACE A DAB OF CAULK AT FASTENER LOCATION DRIVE FASTENER AND CAULK FASTENER HEAD

CHANNEL CLOSURE; BUTT END JOINTS FOR WEEP

BERRIDGE ROOFING PANEL SYSTEM; FIELD CUT AND FORM PANEL TO RAKE WALL. PANEL CONTINUOUS RIDGE TO EAVE

FRAMING MEMBERS

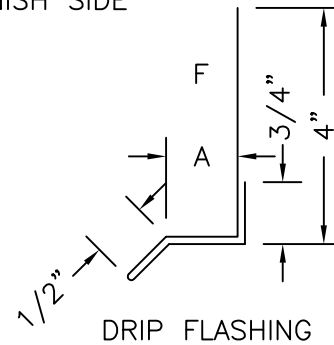
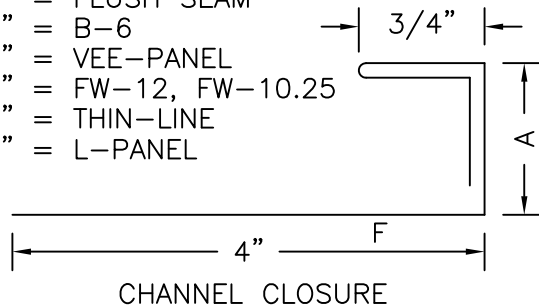


1. REFERENCE BERRIDGE'S WEB SITE FOR APPROVED UNDERLAYMENT AND CAULK TYPES CONSULT BERRIDGE MANUFACTURING'S ENGINEERING DEPARTMENT REGARDING FASTENER TYPE & SPACING.
2. SOLID SHEATHING & OR FRAMING MEMBERS, TO MEET ENGINEERING AND ARCHITECTURAL SPECIFICATIONS IN STRENGTH FOR HOLDING POWER OF FASTENERS.
3. REFERENCE INSTALLATION INSTRUCTIONS FOR MINIMUM REQUIREMENTS.

DIMENSION - A

F = FINISH SIDE

- 5/8" = FLUSH SEAM
- 3/4" = B-6
- 1/2" = VEE-PANEL
- 1 5/8" = FW-12, FW-10.25
- 1/2" = THIN-LINE
- 1 1/8" = L-PANEL



DRIP FLASHING MAYBE USED IN PLACE OF CHANNEL CLOSURE FLASHING TO HAVE 4" END LAPS WITH CONTINUOUS CAULK AT LAPS



**BERRIDGE
MANUFACTURING
COMPANY**

RAKE DETAIL OPEN FRAMING

Fascia / Wall Panel / Soffit

DATE: 08-05-16

PAGE/FILE
FWS-71

BERRIDGE FLUSH SEAM, B-6, VEE-PANEL, FW-12,
THIN-LINE PANEL, L-PANEL OR FW-10.25

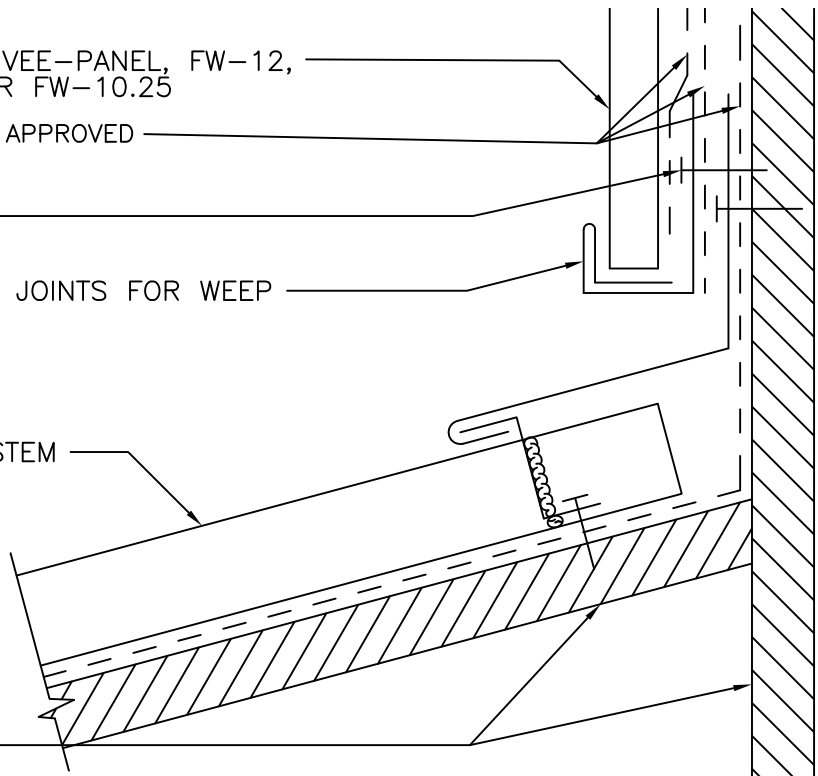
MINIMUM 30# FELT OR BERRIDGE APPROVED
PEEL & STICK

FASTENERS; 20" O.C. MAX.

CHANNEL CLOSURE; BUTT END JOINTS FOR WEEP

BERRIDGE ROOFING PANEL SYSTEM

SOLID SHEATHING

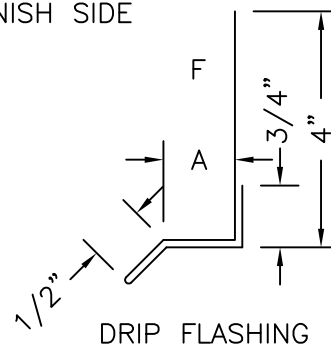
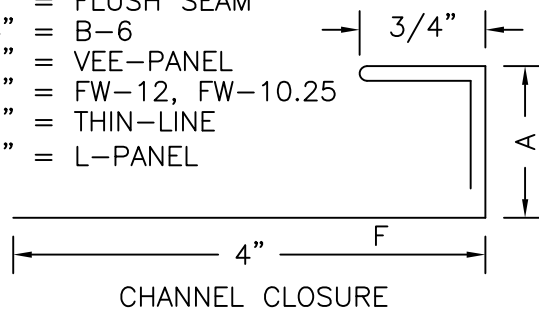


1. REFERENCE BERRIDGE'S WEB SITE FOR APPROVED UNDERLAYMENT AND CAULK TYPES
CONSULT BERRIDGE MANUFACTURING'S ENGINEERING DEPARTMENT REGARDING FASTENER
TYPE & SPACING.
2. SOLID SHEATHING & OR FRAMING MEMBERS, TO MEET ENGINEERING AND ARCHITECTURAL
SPECIFICATIONS IN STRENGTH FOR HOLDING POWER OF FASTENERS.
3. REFERENCE INSTALLATION INSTRUCTIONS FOR MINIMUM REQUIREMENTS.

F = FINISH SIDE

DIMENSION - A

- 5/8" = FLUSH SEAM
- 3/4" = B-6
- 1/2" = VEE-PANEL
- 1 5/8" = FW-12, FW-10.25
- 1/2" = THIN-LINE
- 1 1/8" = L-PANEL



DRIP FLASHING MAYBE USED IN
PLACE OF CHANNEL CLOSURE
FLASHING TO HAVE 4" END LAPS
WITH CONTINUOUS CAULK AT LAPS



**BERRIDGE
MANUFACTURING
COMPANY**

Roofs of Distinction

HEAD WALL DETAIL SOLID SHEATHING

Fascia / Wall Panel / Soffit

DATE: 08-05-16

PAGE/FILE
FWS-72

BERRIDGE FLUSH SEAM, B-6, VEE-PANEL, FW-12,
THIN-LINE PANEL, L-PANEL OR FW-10.25

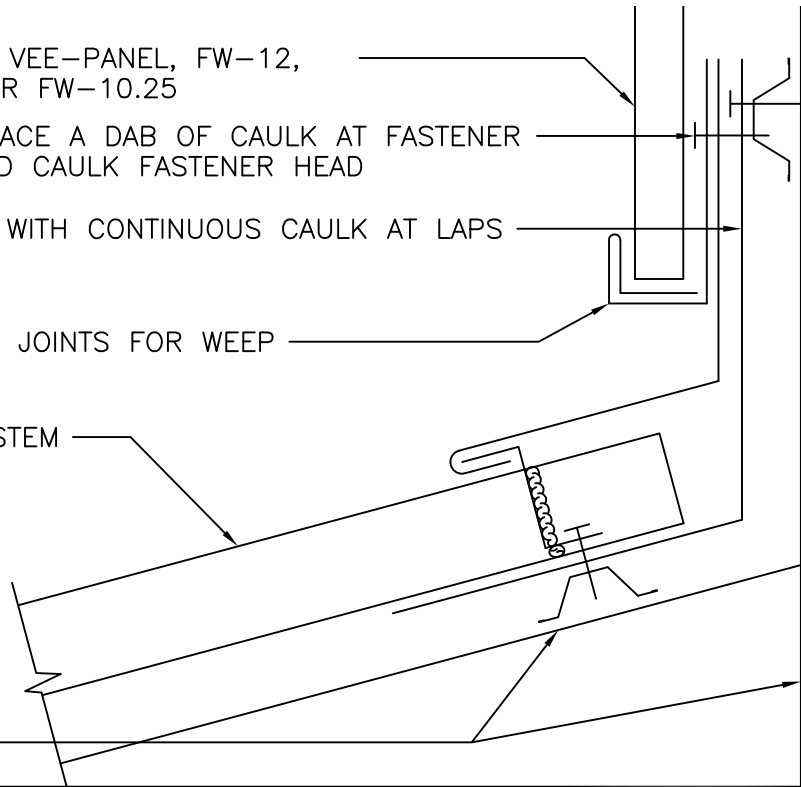
FASTENERS; 20" O.C. MAX. PLACE A DAB OF CAULK AT FASTENER
LOCATION DRIVE FASTENER AND CAULK FASTENER HEAD

SUB-FLASHING; 4" END LAPS WITH CONTINUOUS CAULK AT LAPS

CHANNEL CLOSURE; BUTT END JOINTS FOR WEEP

BERRIDGE ROOFING PANEL SYSTEM

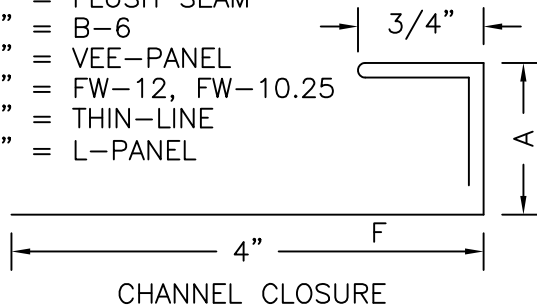
FRAMING MEMBERS



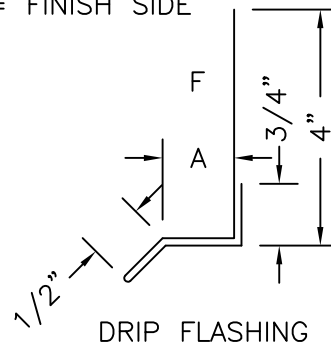
1. REFERENCE BERRIDGE'S WEB SITE FOR APPROVED UNDERLAYMENT AND CAULK TYPES CONSULT BERRIDGE MANUFACTURING'S ENGINEERING DEPARTMENT REGARDING FASTENER TYPE & SPACING.
2. SOLID SHEATHING & OR FRAMING MEMBERS, TO MEET ENGINEERING AND ARCHITECTURAL SPECIFICATIONS IN STRENGTH FOR HOLDING POWER OF FASTENERS.
3. REFERENCE INSTALLATION INSTRUCTIONS FOR MINIMUM REQUIREMENTS.

DIMENSION - A

- 5/8" = FLUSH SEAM
- 3/4" = B-6
- 1/2" = VEE-PANEL
- 1 5/8" = FW-12, FW-10.25
- 1 1/2" = THIN-LINE
- 1 1/8" = L-PANEL



F = FINISH SIDE



DRIP FLASHING MAYBE USED IN
PLACE OF CHANNEL CLOSURE
FLASHING TO HAVE 4" END LAPS
WITH CONTINUOUS CAULK AT LAPS



**BERRIDGE
MANUFACTURING
COMPANY**

HEAD WALL DETAIL OPEN FRAMING

Fascia / Wall Panel / Soffit

DATE: 08-05-16

PAGE/FILE
FWS-73

BERRIDGE FLUSH SEAM, B-6, VEE-PANEL, FW-12,
THIN-LINE PANEL, L-PANEL OR FW-10.25

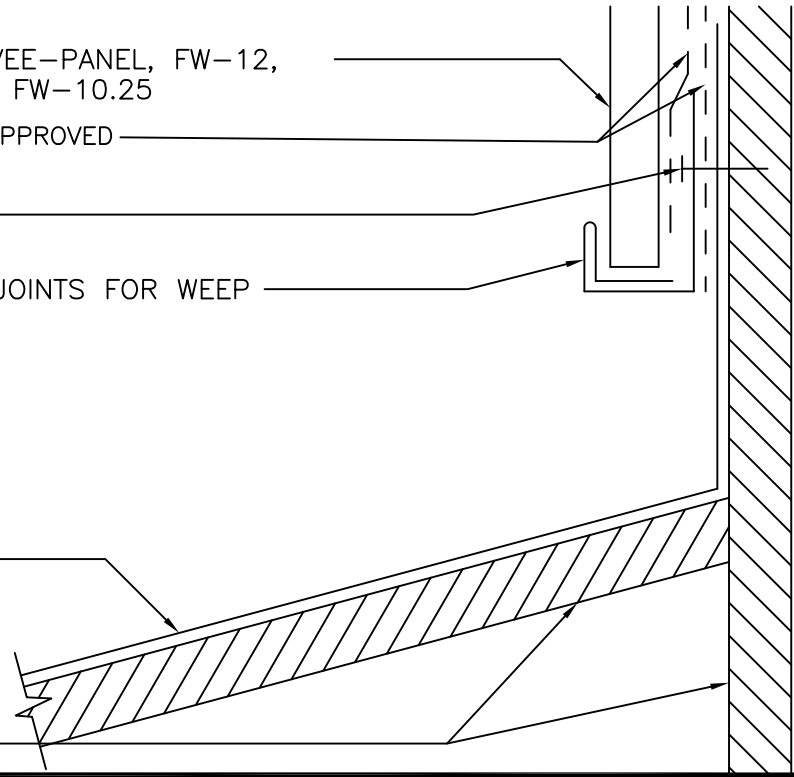
MINIMUM 30# FELT OR BERRIDGE APPROVED
PEEL & STICK

FASTENERS; 20" O.C. MAX.

CHANNEL CLOSURE; BUTT END JOINTS FOR WEEP

ROOFING MEMBRANE

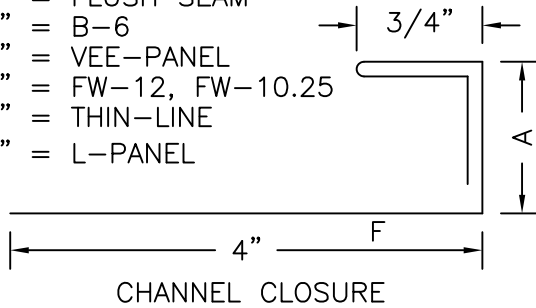
SOLID SHEATHING



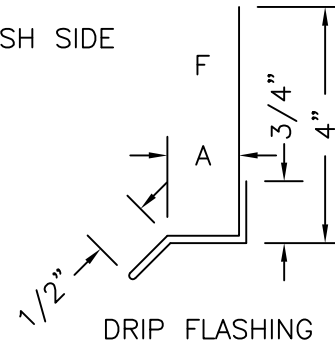
1. REFERENCE BERRIDGE'S WEB SITE FOR APPROVED UNDERLAYMENT AND CAULK TYPES
CONSULT BERRIDGE MANUFACTURING'S ENGINEERING DEPARTMENT REGARDING FASTENER
TYPE & SPACING.
2. SOLID SHEATHING & OR FRAMING MEMBERS, TO MEET ENGINEERING AND ARCHITECTURAL
SPECIFICATIONS IN STRENGTH FOR HOLDING POWER OF FASTENERS.
3. REFERENCE INSTALLATION INSTRUCTIONS FOR MINIMUM REQUIREMENTS.

DIMENSION - A

- 5/8" = FLUSH SEAM
- 3/4" = B-6
- 1/2" = VEE-PANEL
- 1 5/8" = FW-12, FW-10.25
- 1/2" = THIN-LINE
- 1 1/8" = L-PANEL



F = FINISH SIDE



DRIP FLASHING MAYBE USED IN
PLACE OF CHANNEL CLOSURE
FLASHING TO HAVE 4" END LAPS
WITH CONTINUOUS CAULK AT LAPS



**BERRIDGE
MANUFACTURING
COMPANY**

BASE DETAIL SOLID SHEATHING

Fascia / Wall Panel / Soffit

DATE: 08-05-16

PAGE/FILE
FWS-74