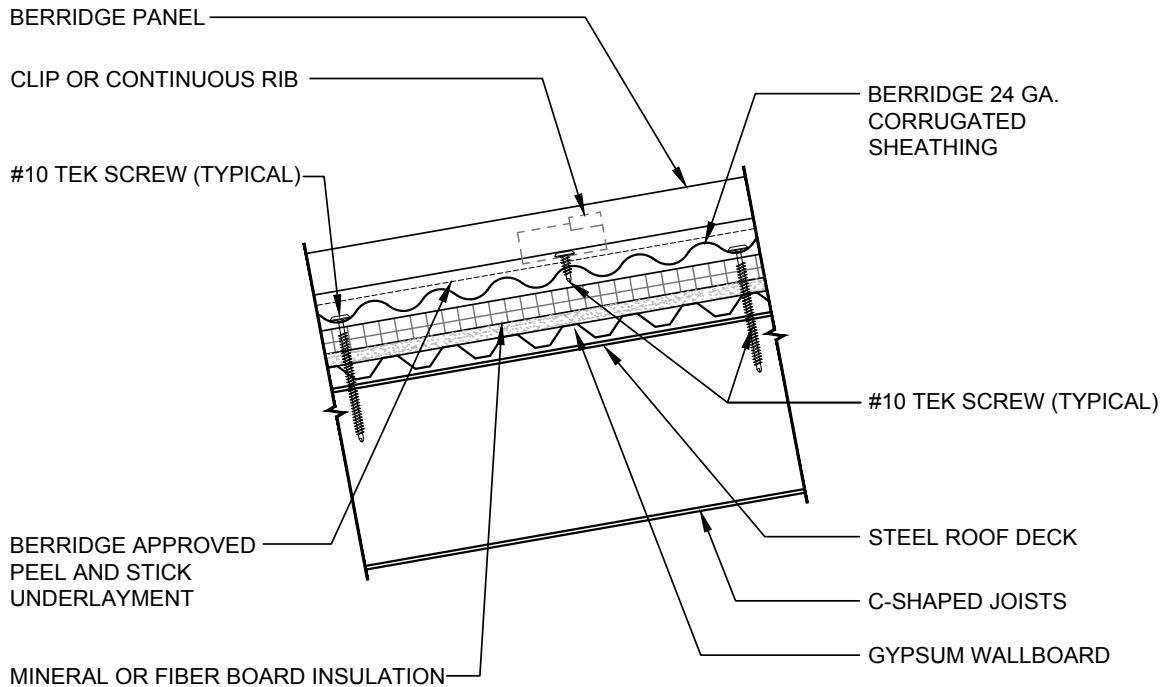
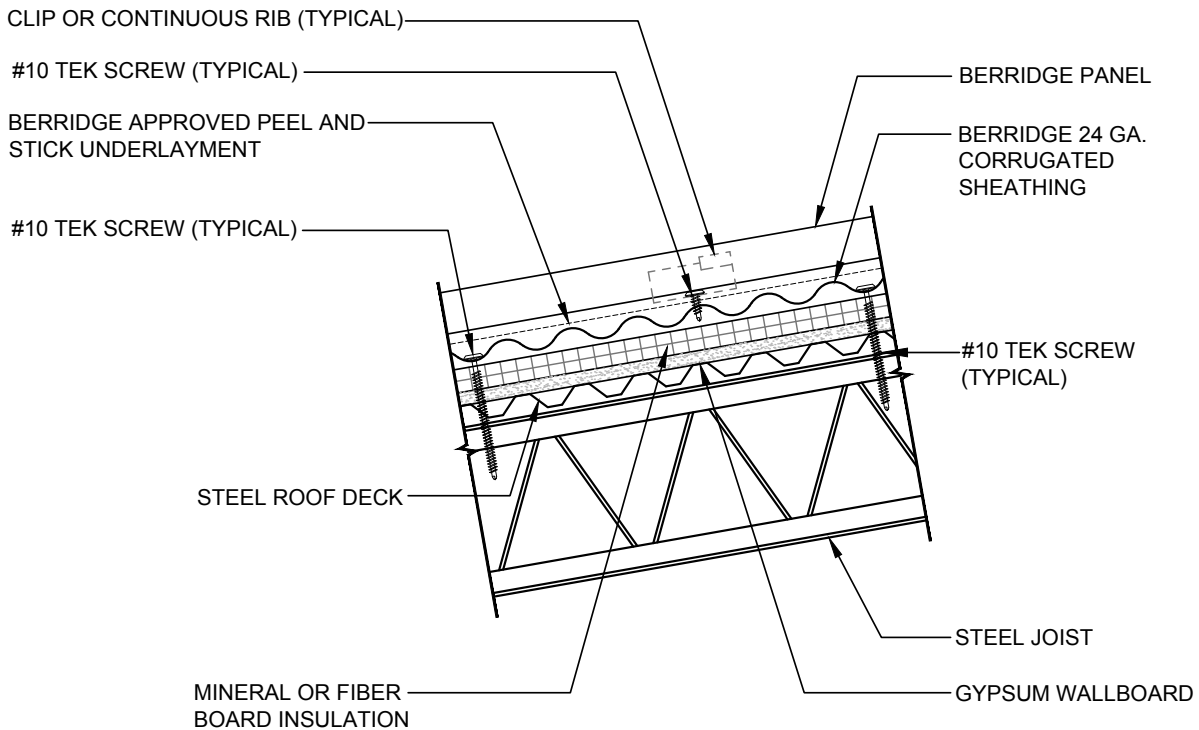


UL FIRE RESISTANCE ASSEMBLY



THIS ASSEMBLY QUALIFIES FOR U.L. DESIGN NO. P512 & P518, LESS THE MINERAL BOARD REQUIREMENTS.



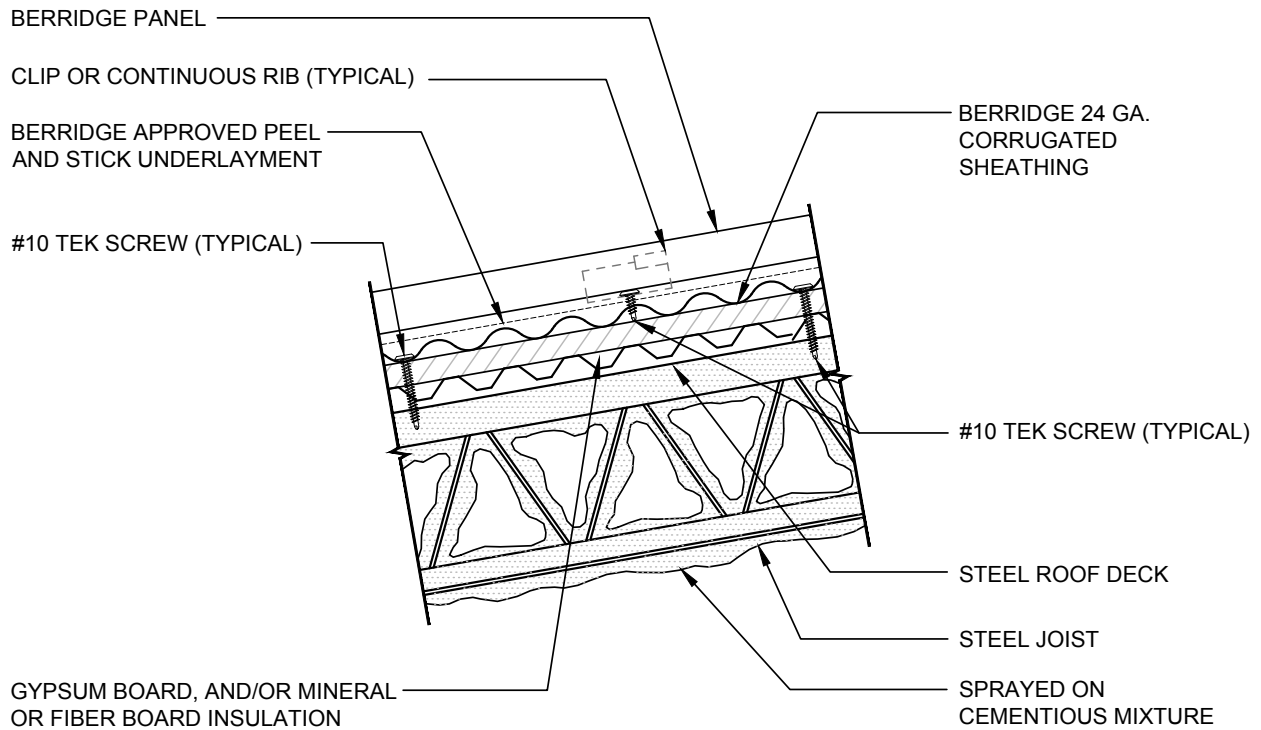
THIS ASSEMBLY QUALIFIED FOR U.L. DESIGN NO. P225, P230, P237, P250, P259, P508, P510, P514, AND P227 USING CELLULAR GLASS CLOCK IN LIEU OF MINERAL INSULATION BOARD.

BERRIDGE MANUFACTURING COMPANY

2610 Harry Wurzbach Road, San Antonio, TX 78209 | 800-669-0009 | Fax 210-650-0379

Visit www.berridge.com for the most up-to date information. All information herein subject to change without notice. For technical assistance please contact Berridge.

UL FIRE RESISTANCE ASSEMBLY



THIS ASSEMBLY QUALIFIED FOR U.L. DESIGN NO. P701, P711, P713, P717, P719, P720, P722, P723, P726, P731, P732, P734, P801, P815, P819, AND P824 ONLY USING SPRAYED-ON FIBER IN LIEU OF CEMENTIOUS MIXTURE.

GENERAL NOTES:

1. IN ORDER TO QUALIFY FOR A FIRE-RESISTANT RATING, THE ROOF SYSTEM CANNOT MAKE A PENETRATION IN THE INSULATION SYSTEM. THE TEE-PANEL, IN ORDER TO MAKE POSITIVE ATTACHMENT, MUST BE ATTACHED TO A CORRUGATED SUBSTRATUM (IF THE INSULATION SYSTEM HAS NO NAILABLE SURFACE). THE CORRUGATED SUBSTRATUM IS TO BE MOUNTED DIRECTLY TO THE INSULATION SYSTEM WITH FASTENERS FASTENED THROUGH INTO THE STRUCTURAL STEEL DECK.
2. ADDITIONAL INFORMATION REGARDING THIS ASSEMBLY IS AVAILABLE IN THE UL FIRE RESISTANCE DIRECTORY.

BERRIDGE MANUFACTURING COMPANY

2610 Harry Wurzbach Road, San Antonio, TX 78209 | 800-669-0009 | Fax 210-650-0379

Visit www.berridge.com for the most up-to-date information. All information herein subject to change without notice. For technical assistance please contact Berridge.